



BALOO'S BUGLE



Volume 15, Number 3

"Make no small plans. They have no magic to stir men's blood and probably will not themselves be realized." D. Burnham

October 2008 Cub Scout Roundtable

November 2008 Cub Scout Theme

SEEDS OF KINDNESS

Tiger Cub Achievement #2

Webelos Craftsman and Readyman

FOCUS

Cub Scout Roundtable Leaders' Guide

We often hear of random acts of kindness, but what about some not-so random acts of kindness?? Many organizations such as Habitat for Humanity, the Salvation Army, and your local food bank are in place to help others. Their purpose is to serve the needy. As cub Scouts and Cub Scout leaders, we can make plans to help these organizations or come up with ideas all our own in order to keep our promise to "do our best to help other people."

CORE VALUES

Cub Scout Roundtable Leaders' Guide

Some of the purposes of Cub Scouting developed through this month's theme are:

- ✓ **Friendly Service**, Cub Scouts will demonstrate friendly service through conducting food drives, coat collections, or other community service projects.
- ✓ **Good Citizenship**, Cub Scouts will learn that part of being a good citizen is helping others in the community.
- ✓ **Personal Achievement**, Cub Scouts will gain satisfaction from knowing that their service has helped improve the lives of others.

The core value highlighted this month is:

- ✓ **Compassion**, Boys will learn to recognize the unfortunate situations or suffering of Cub Scouts will gain a sense of responsibility through the Buddy System and other safety rules in and around water.

Can you think of others??? Hint – look in your **Cub Scout Program Helps**. It lists different ones!! All the items on both lists are applicable!! You could probably list all twelve if you thought about it!!

COMMISSIONER'S CORNER

Another busy month and another great theme - a head on collision between life, work and Scouting - but I made it and getting closer to on time. This working for a living is not fun anymore and my customer wants his projects on time!! *It was a lot more fun on the utility side.*

It is that time of the year again when my Pow Wow CDs are running out of themes and I need new ones. Rachel at Rice promised me the Sam Houston CD when I saw her at

Philmont this summer. Thank you. I received an Email today from Alice at SHAC and she updated me on how my friends there made out with the hurricane. Some were without power for over two weeks but Praise The Lord, there were no serious injuries in her Email.

Speaking of your next Pow Wow Book (CD), when you prep your ceremonies - make sure they include all ranks - I see a lot of advancement ceremonies in Pow Wow that books that have not been updated to include Tigers. Or with Bobcat after Tiger. Be careful, don't just cut and paste, please.

Also, check the craft materials - Black bottom 2 liter soda bottles do not exist anymore. And mercurochrome is no longer considered safe.

If you send me a Pow Wow Book CD, I will get you a copy of some of the ones I have received. Possibly on line for you to download or via CD. My Pow Wow is in January, so that is when I usually send my swaps.

Health Update - Last winter I went for Proton Radiation Treatment for Prostate Cancer at Loma Linda University Medical Center, Loma Linda, CA. I had to spend 9 weeks in Southern CA in Feb and March versus South Jersey.

My four month PSA had a 50% drop from the pretreatment level. The last 3 pretreatment PSA results were all about 3.0 ng/ml. (Thankfully it never got real high. God helped them find in it me early)

The 4 month post treatment was 1.5 ng/ml. That is a 50% drop and shows the treatment was successful. My PSA should reach its nadir (low point) and stay there about 3 years after treatment.

Proton radiation is a lot less invasive. *The only side effect I have, is I gained weight while receiving the radiation treatments despite working out almost daily at their fitness center and have not been able to lose it!!*

Read about the benefits of proton radiation at www.protons.ocm and www.protonbob.com

And since this disease affects 1 in 6 men and there happens to be a lot of men involved with the Boy Scouts, please spread the word about Proton Radiation and Prostate Cancer. Encourage them to investigate for themselves. My doctor did not tell me about this treatment.

Disclaimer: I am an engineer not a doctor, there is no medical advice here.

**Months with similar themes to
Seeds of Kindness**

Dave D. in Illinois

I see a lot of these are December themes. I guess the team went with the holiday tradition of giving good will. CD

Month Name	Year	Theme
December	1940	Good Will - Cub Style
December	1941	Giving Good Will
December	1942	Good Will
December	1943	Good Will Month
December	1944	The Other Fellow
December	1945	Follows - Helps - Gives
December	1947	Helps and Gives
December	1948	Goodwill
December	1949	The Other Fellow
December	1950	Helps (for institutions)
December	1951	F-H-G (good followers, helpers, & givers)
December	1958	The Golden Rule
December	1961	Follows, Helps, and Gives
September	1965	Barn Raising
December	1969	The Cub Scout Gives Good Will
December	1971	Cub Scout Gives Good Will
December	1972	Follows, Helps, Gives
December	1975	Cub Scout Gives Good Will
December	1984	Do a Good Turn
December	1985	Follows, Helps, Gives
December	1986	The Golden Rule
December	1991	Follows, Helps, Gives
December	1992	To Help Other People
December	1995	Do a Good Turn
December	1996	Helping Others
December	1997	The Golden Rule
December	2003	A Cub Scout Gives Good Will
December	2005	Faith, Hope & Charity
November	2008	Spreading Seeds Of Kindness



National makes a patch for every Cub Scout Monthly theme. This is the one for this theme. Check them out at www.scoutstuff.org go to patches and look for 2008 Cub Scout Monthly Theme Emblems.

CUBCAST

National has started a monthly podcast for Cub Scout leaders. It is called **Cubcast**. Rob and Kristin are the hosts and they do a great job. They also use actual volunteers from around the country as guest speakers. Check it out at

<http://www.scouting.org/CubScouts/Cubcast.aspx>

to pick up some really great ideas for the next theme. No special equipment needed. Chances are (Johnny Mathis, 1957) your computer can play it now!!!

THOUGHTFUL ITEMS FOR SCOUTERS

Thanks to Scouter Jim from Bountiful, Utah, who prepares this section of Baloo for us each month. You can reach him at bobwhitejonz@juno.com or through the link to write Baloo on www.usscouts.org. CD

Roundtable Prayers

CS Roundtable Planning Guide

"We come together in the spirit of brothers and sisters, each charged with taking care of one another. God, give us what we need to serve each other to the best of our ability. **AMEN**

Thank you, Lord, for all you have given us. Help us notice people who need our help. Help us do our best in helping children who are alone, and our parents and teachers when they need a hand. **AMEN**

Sowing Seeds of Kindness

Scouter Jim, Bountiful UT

Paul, the Apostle, gave the following quote and attributed it to Jesus Christ.: "It is more blessed to give than to receive." *Holy Bible, Acts 20:35* Currently I have been going through a health crisis in my life. I can assure you that it is easier to give than to receive. I have friends all around the world praying for my health. November is a great time to teach the joys of service. We can remind our Cub Scouts of the help the Native Americans gave the Pilgrim that first year and beyond. There are many ideas for giving service. It may be harder to find someone to give service to, than to find service to give. I have had many people ask me what they can do, and I am at a loss. It is not that I do not care about these wonderful friends, I have just been a Scout for so long, it is hard for me to take service, even when I am in real need. Try to think outside the box, think of someone completely different to give service to. You might find someone in real need of service that you would not expect. I would much rather give service, it is easier. However, I realize that sometimes each of us must receive the harvest of kindness sown by others with dignity and gratitude.

Blessed are the Cub Scouts

Capital Area Council

Blessed are the Cub Scouts

who are taught to see beauty in all things around them.
For their world will be a place of grace and wonder.

Blessed are the Cub Scouts

who are led with patience and understanding
For they will learn the strength of endurance and gift of tolerance.

Blessed are the Cub Scouts

who are provided a home where family members dwell
in harmony and close communion
For they shall become the peacemakers of the world.

Blessed are the Cub Scouts
who are taught the value and power of truth,
For they shall search for knowledge and use it with
wisdom and discernment.

Blessed are the Cub Scouts
who are guided by those with faith in a loving God
For they will find Him early and will walk with him
through life.

Blessed are the Cub Scouts
who are loved and know that they are loved
For they shall sow seeds of love in the world and reap
joy for themselves and others.

Quotations

Quotations contain the wisdom of the ages, and are a great source of inspiration for Cubmaster's minutes, material for an advancement ceremony or an insightful addition to a Pack Meeting program cover

No act of kindness, no matter how small, is ever wasted.
[Aesop, The Lion and the Mouse](#)

The ideals which have lighted my way, and time after time have given me new courage to face life cheerfully, have been Kindness, Beauty, and Truth. The trite subjects of human efforts, possessions, outward success, luxury have always seemed to me contemptible. [Albert Einstein](#)

There is no duty more obligatory than the repayment of kindness. [Cicero](#)

Forget injuries, never forget kindnesses. [Confucius](#)

Guard well within yourself that treasure, kindness. Know how to give without hesitation, how to lose without regret, how to acquire without meanness. [George Sand](#)

That best portion of a good man's life, His little, nameless, unremembered acts of kindness and of love. [William Wordsworth](#)

When I was young, I used to admire intelligent people; as I grow older, I admire kind people. [Abraham Joshua Heschel](#)

Great persons are able to do great kindnesses. [Cervantes](#)

There is overwhelming evidence that the higher the level of self-esteem, the more likely one will be to treat others with respect, kindness, and generosity. [Nathaniel Branden](#)

If instead of a gem, or even a flower, we should cast the gift of a loving thought into the heart of a friend, that would be giving as the angels give. [George MacDonald](#)

Kindness can become its own motive. We are made kind by being kind. [Eric Hoffer](#)

When you carry out acts of kindness you get a wonderful feeling inside. It is as though something inside your body responds and says, yes, this is how I ought to feel. [Harold Kushner](#)

Therefore, as God's chosen people, holy and dearly loved, clothe yourselves with compassion, kindness, humility, gentleness and patience. [The Apostle Paul \(Colossians 3:12\)](#)

No kind action ever stops with itself. One kind action leads to another. Good example is followed. A single act of kindness throws out roots in all directions, and the roots spring up and make new trees. The greatest work that

kindness does to others is that it makes them kind themselves. [Amelia Earhart](#)

Do something wonderful, people may imitate it. [Albert Schweitzer](#)

Remember there's no such thing as a small act of kindness. Every act creates a ripple with no logical end. [Scott Adams](#)

Love and kindness are never wasted. They always make a difference. They bless the one who receives them, and they bless you, the giver. [Barbara De Angelis](#)

Kindness is the oil that smoothen the friction of life.
[Anonymous](#)

You cannot do a kindness too soon because you never know how soon it will be too late. [Ralph Waldo Emerson](#)

I expect to pass through life but once. If therefore, there be any kindness I can show, or any good thing I can do to any fellow being, let me do it now, and not defer or neglect it, as I shall not pass this way again. [William Penn](#)

Only a life lived for others is a life worthwhile. [Albert Einstein](#)

Try not to become a man of success but rather try to become a man of value. [Albert Einstein](#)

I don't know what your destiny will be, but one thing I do know: the only ones among you who will be really happy are those who have sought and found how to serve. [Albert Schweitzer](#)

A man is truly ethical only when he obeys the compulsion to help all life which he is able to assist, and shrinks from injuring anything that lives. [Albert Schweitzer](#)

Reverence for Life affords me my fundamental principle of morality, namely, that good consists in maintaining, assisting, and enhancing life and that to destroy, harm, or to hinder life is evil. Affirmation of the world -- that is affirmation of the will to live, which appears in phenomenal forms all around me -- is only possible for me in that I give myself out for other life. [Albert Schweitzer](#)

If I have been of service, if I have glimpsed more of the nature and essence of ultimate good, if I am inspired to reach wider horizons of thought and action, if I am at peace with myself, it has been a successful day. [Alex Noble](#)

One act of beneficence, one act of real usefulness, is worth all the abstract sentiment in the world. [Ann Radcliffe](#)

Giving frees us from the familiar territory of our own needs by opening our mind to the unexplained worlds occupied by the needs of others. [Barbara Bush](#)

Of all tyrannies, a tyranny exercised for the good of its victims may be the most oppressive. It may be better to live under robber barons than under omnipotent moral busybodies. The robber baron's cruelty may sometimes sleep, his cupidity may at some point be satiated; but those who torment us for our own good will torment us without end, for they do so with the approval of their own conscience. [C. S. Lewis](#)

He, who wishes to secure the good of others, has already secured his own. [Confucius](#)

Nobody made a greater mistake than he who did nothing because he could do only a little. [Edmund Burke](#)

Happiness cannot come from without. It must come from within. It is not what we see and touch or that which others do for us which makes us happy; it is that which we think and feel and do, first for the other fellow and then for ourselves. [Helen Keller](#)

We cannot live for ourselves alone. Our lives are connected by a thousand invisible threads, and along these sympathetic fibers, our actions run as causes and return to us as results. [Herman Melville](#)

Those who bring sunshine into the lives of others, cannot keep it from themselves. [James M. Barrie](#)

If you have knowledge, let others light their candles in it. [Margaret Fuller](#)

Service is what life is all about. [Marian Wright Edelman](#)

An individual has not started living until he can rise above the narrow confines of his individualistic concerns to the broader concerns of all humanity. [Martin Luther King, Jr.](#)

Everybody can be great... because anybody can serve. You don't have to have a college degree to serve. You don't have to make your subject and verb agree to serve. You only need a heart full of grace. A soul generated by love. [Martin Luther King, Jr.](#)

Religion is to do right. It is to love, it is to serve, it is to think, it is to be humble. [Ralph Waldo Emerson](#)

It is one of the most beautiful compensations of life, that no man can sincerely try to help another without helping himself. [Ralph Waldo Emerson](#)

Kings and cabbages go back to compost, but good deeds stay green forever. [Rick de Marinis](#)

Too old to plant trees for my own gratification, I shall do it for my posterity. [Thomas Jefferson](#)

There is no greater calling than to serve your fellow men. There is no greater contribution than to help the weak. There is no greater satisfaction than to have done it well. [Walter Reuther](#)

Six essential qualities that are the key to success: Sincerity, personal integrity, humility, courtesy, wisdom, charity. [William Menninger](#)

QUOTES

Sam Houston Area Council

If you want others to be happy, practice compassion. If you want to be happy, practice compassion. – The Dalai Lama

If you haven't any charity in your heart, you have the worst kind of heart trouble. – Bob Hope

Kindness is the language which the deaf can hear and the blind can see. – Mark Twain

I've always maintained that if the right spirit is there, it can knock the 'im' out of impossible. –Robert Baden-Powell

How beautiful a day can be when kindness touches it! – George Elliston

Scatter seeds of kindness everywhere you go;
Scatter bits of courtesy - watch them grow and grow.
Gather buds of friendship; Keep them till full-blown;
You will find more happiness than you have ever known.
– Amy Raabe

The Bridge Builder

By Will Allen Dromgoole
Grand Teton Council

An old man, going a lone highway,
Came, at the evening, cold and gray,
To a chasm, vast, and deep, and wide,
Through which was flowing a sullen tide.

The old man crossed in the twilight dim;
The sullen stream had no fears for him;
But he turned, when safe on the other side,
And built a bridge to span the tide.

"Old man," said a fellow pilgrim, near,
"You are wasting strength with building here;
Your journey will end with the ending day;
You never again must pass this way;
You have crossed the chasm, deep and wide-
Why build you a bridge at the eventide?"

The builder lifted his old gray head:
"Good friend, in the path I have come," he said
"There followeth after me today,
A youth, whose feet must pass this way.

This chasm, that has been naught to me,
To that fair-haired youth may a pitfall be.
He, too, must cross in the twilight dim;
Good friend, I am building the bridge for him."

TRAINING TIP

Cub Scout Advancement

[Bill Smith](#), *the Roundtable Guy*

Advancement seems to be involved in most of the things we do in Cub Scouts. In family and den activities, in ceremonies at pack meetings, in things we sew on the uniforms, advancement is there.

First of all we should remember that advancement is a method of Cub Scouting. That means we should use it to achieve the aims and purposes of the program. The books, the requirements, the badges – everything - are there for us to help each boy develop. Think of advancement as a tool we use to help the Cub Scout grow.

Advancement is one of the methods used to achieve Scouting's aims—character development, citizenship training, and personal fitness. Everything a Cub Scout does to advance is designed to achieve these aims and aid in his personal growth. These badges are a means to an end—not an end in themselves.

The Cub Scout Leader's Book

Each requirement is an adventure that a young lad takes along with his special leader: his Akela. On the trail he is challenged to do his best to overcome the obstacles he meets. This gives the boy's Akelas opportunities to achieve those [ten purposes of Cub Scouting](#). His parents and his den leaders who guide him and help him on these requirements should be aware of both the adventure and the purposes.

I was a member of one of the task forces that updated the Wolf Book. We spent a lot of our first meetings just reviewing how requirements related to the aims and purposes before we ever addressed changes or new ideas. Our Chair person and our professional guide wanted to be sure that we were focused on the correct goals. I expect other updating groups have had similar priorities.

Each requirement in Tiger, Wolf and Bear trails represents a challenge to that boy. How he reacts to each challenge will depend on how he perceives that particular encounter. Some boys revel in a challenge. Others are intimidated. Each boy has his own unique responses. We need to be flexible in how we treat advancement. It's the boy that counts here, not necessarily the requirements. The journey rather than the destination is what is important. As my first Scouting Guru, [Bud Bennett](#) would say about Cub Scout projects,

“It’s not what the boy does to the board that matters; it’s what the board does to the boy.”

Remember, methods in Cub Scouting are meant to be flexible. We should do what we feel is best for each boy. The *Parent Guide* in the *Wolf Cub Scout Book* reminds us:

In Cub Scouting, boys are judged against their own standard, not against other boys.

These requirements are not tests that a boy must pass to advance in order to continue in Scouting. They are more a series of experiences that help him grow into a more effective human being. All we ask is that he does his best in each of them.

Doing your best is one of the most important things for the Cub Scout to learn. Boys often become so interested in winning that they fail to see the importance of doing the best they can at everything. One boy's best might be quite different from another boy's best.

The Cub Scout Leader Book

Scouting provides a series of surmountable obstacles and steps to overcome them through the advancement method. The Scout plans his advancement and progresses at his own pace as he overcomes each challenge. The Scout is rewarded for each achievement, which helps him gain self-confidence. The steps in the advancement system help a boy grow in self-reliance and the ability to help others.

The first rank that EVERY boy MUST earn when entering the Cub Scouting Program is the **Bobcat** rank. Bobcat features the ideals of Cub Scouting: the Motto, the Promise and the Law of the Pack. all teach good citizenship and contribute to a boy's sense of belonging.

The Cub Scout purposes and ideals are excellent character guidelines for any group, organization or individual. *School for Champions*

The achievements - 5 Tiger, 12 Wolf and 12 Bear - represent those things a growing boy should be doing as he learns to be a better citizen and a more responsible and capable human being. They give parents and others ample opportunities to observe and understand how this boy is

growing up: what sort of adult he will be, what kind of husband, what type of father, and what quality of community member he will become. Informed parents and leaders can - and should - make the achievements fun experiences for the boys.

The Tiger program is an effective process to introduce parents to the values and practices of Cub Scout advancement. Family involvement is an essential part of Cub Scouting. When we speak of parents or families, we are not referring to any particular family structure. Some boys live with two parents, some live with one parent, some have foster parents, and some live with other relatives or guardians. Whoever a boy calls his family is his family in Cub Scouting.

The Bear program involves choosing Achievements. This is a valuable opportunity for leaders and parents to guide a Cub Scout in how to make a choice. Rather than make the choice for him, help him understand what goes into evaluating alternatives and then opting for the best one.

The electives automatically involve TALKING. The boy and his parent TALK, they listen to each other, they plan; they express their hopes, their concerns, and their jokes. They learn to respect each others moods, ideas and styles. They create special communication channels that remain vital and valuable for all their lives.

If leaders shut out the parents by doing a lot of Tiger and Cub Scout advancement at den meetings then they deny the parents the opportunity to establish these relationships with their sons.

On the question of how often should a Cub Scout repeat the same elective, there are diverse opinions. We certainly want boys do have a variety of experiences and to explore a wide range of the opportunities in his books. However a boy might develop a penchant for a particular field and want to dig deeper into it. As long as he is challenged and seems to be benefiting, I would have no problem signing his book or awarding him his arrow points.

I am reminded of Linus, a boy who lived here in Portland. At a young age he became excited about a toy chemistry set and soon chemistry captivated him and he became so obsessed that he tended to neglect other activities and didn't even finish high school.. [Linus C Pauling](#) went on to become a world famous pioneer in the application of quantum mechanics to chemistry, and one of the founders of molecular biology. and to win two Nobel Prizes.

In practice, the [Cub Scout Academics and Sports Belt Loops and Pins](#) offer boys opportunities to explore other fields and to dig deeper into those that excite their minds. It can be a budget buster for some packs but if you can afford it or work with interested families it adds a rich mixture of activities and recognition possibilities.

Webelos and Activity Badges

By the time boys are Webelos, they are more serious about goal setting, team building and reaching out to other adults in the community. The Webelos Activity Badge program gives them ample opportunities to become knowledgeable and even skilled in fields of art, science, health, communication and government.

About this age, boys start looking outside their families for acceptance and guidance. Good packs will ensure that Webelos den leaders have lots of adult help for their Activity Badge programs. This not only makes the WDL job easier but provides the boys opportunities to interact with a several adults. Build a data base of all the skills, hobbies and interests of parents as soon as the families join your pack.

And finally, remember to show off your leadership skills by recognizing each advancement step with a spectacular award ceremony that the boy will remember for years to come.

What are YOU going to do now?

Go get 'em. We need all the help we can get.

*The best gift for a Cub Scout.....
.....get his parents involved!*

- ✓ *Also, be sure to visit Bill's website*
<http://www.wtsmith.com/rt>
to finds more ideas on everything Cub Scouting.

*Have any Comments for Bill
just click right here!*

PACK ADMIN HELPS

Cub Scout Outdoor Program Guidelines

www.scouting.org



Planned, organized outdoor activities at the den, pack, district, and council levels fulfill the promise made to our Cub Scouts. Young boys have a great desire for outdoor fun, excitement, and adventure. These experiences encourage them to spend quality time with family and friends. Quality council camps and fun pack outdoor events directed by qualified, trained leaders provide an ideal setting for these activities.

Cub Scouts can camp! Every pack's annual plan should include day camp or resident camp and many other outdoor activities. Advanced planning will allow leaders to arrange to attend the training needed to successfully accomplish the program goals of the units and the training requirements of the BSA. Most boys join Cub Scouting because of the outdoor activities. Boys in this age group have a natural curiosity about their surroundings, especially the world out-of-doors. Introducing these boys to the fun and adventure of Scouting in the outdoors will benefit them as they mature through the program. Their participation and enthusiasm will grow for continuing in the program into Boy Scouting and beyond.

It's More Fun Outdoors!

Why Cub Scout Outdoor Activities?

When a boy and his family join Cub Scouting, they join an organization that values the fun and excitement of experiencing the outdoors. Each Cub Scout pack is encouraged to provide its youth members with enriching, positive outdoor experiences. Many boys experience their first organized outdoor adventure as a Cub Scout. Good planning using Cub Scouting guidelines should assure a positive experience. A successful outdoor program that meets the goals of the Cub Scout program will ensure that all activities are appropriate for the target age group. Age-Appropriate Guidelines for Scouting Activities and the Guide to Safe Scouting are both available on the BSA Web site.

In addition, apply these Cub Scouting program-specific criteria:

- ✓ The activity is parent/youth or family-oriented.
- ✓ The activity is conducted with adult supervision.
- ✓ The Cub Scouts are asked to do their best.
- ✓ The activity is discovery-based.
- ✓ Advancement occurs as a natural part of a well-planned program.

Two-Deep Leadership Required

It is the policy of the Boy Scouts of America that trips and outings may never be led by only one adult. Two registered adult leaders, or one registered adult leader and a parent of a participant, one of whom must be 21 years of age or older, are required for all trips and outings. The chartered organization of any Cub Scout pack, Boy Scout troop, Varsity Scout team, or Venturing crew has the responsibility to stress to the committees and leaders of the unit that sufficient adult leadership must be provided on all trips and outings.

Outdoor Activity Tips

- Obtain permission from parents or guardians for activities that are held away from the regular den and pack meeting places.
- File a local tour permit if necessary. Check with your local council on its policies regarding field trips in your council.
- Be sure to have enough adult leaders for the activity.
- Check out the site before the activity. Check on reservation procedures, restroom facilities, availability of adequate drinking water, and any potential hazards.
- Use the buddy system. Coach the boys in advance on what to do if they get lost.
- Carry a first aid kit and know how to use it. Be prepared with emergency procedures.
- Arrange adequate and safe transportation.
- Always leave a site in its natural condition.



For additional information on specific activities not covered in this document, refer to Age-Appropriate Guidelines for Scouting Activities and the Guide to Safe Scouting.

Reference

Age-Appropriate Guidelines for Scouting, No. 18-260

Cub Scout Leader Book, No. 33221

Guide to Safe Scouting . No. 34416

Pack Overnights

Pack overnights are pack-organized overnight camping activities involving more than one family from a single pack, focused on age-appropriate Cub Scout activities and conducted at council-approved locations (use Pack Overnighter Site Approval Form, No. 13-508). If nonmembers (siblings) participate, the program must be structured to accommodate them. BSA health and safety and Youth Protection guidelines apply. In most cases, each youth member will be under the supervision of a parent or guardian. In all cases, each youth participant is responsible to a specific adult.



At least one adult giving leadership to a pack overnighter must complete Basic Adult Leader Outdoor Orientation (BALOO), No. 34162, and be present on campouts. BALOO trains participants to properly understand the importance of program intent, Youth Protection guidelines, health and safety, site selection, age-appropriate activities, and sufficient adult participation. Permits for campouts shall be issued locally, according to council policies. Packs use the Local Tour Permit Application, No. 34426.

Other Cub Scout Trips and Excursions

Going outdoors is one of the most exciting parts of Scouting. All Cub Scouts look forward to taking field trips to museums and local places of interest, going on hikes, and taking part in sports, service projects, and nature and conservation activities. All trips should be conducted in accordance with established procedures. Tour Permits for such tours shall be issued locally or nationally, depending on the distance traveled.

The National Council has established the following guidelines for non-camping Cub Scout trips and excursions:

- ✓ Trips normally will be one-day excursions.
- ✓ Overnight stays are permitted but they are not encouraged.
- ✓ When overnight stays are necessary, participants will stay in private homes, motels, or hotels.
- ✓ Lock-ins or overnight programming at local museums or other appropriate locations may be approved by the local council.
- ✓ Den leaders, pack leaders, and parents or guardians are expected to accompany the boys on approved trips.
- ✓ The adult partner must accompany the Tiger Cub on all trips and outings.

Standards for Privacy on Trips or Outings

To support the BSA policy of two-deep leadership on all trips and outings, we must address the sleeping arrangements of male and female leaders.

All leaders are expected to reflect high moral standards established by customs, traditional values, and religious teachings.

- Male and female leaders require separate sleeping facilities. Married couples may share the same quarters if appropriate facilities are available.
- Male and female youth participants must not share the same sleeping facility.
- When tents are used, no youth will stay in the tent of an adult other than his/her parent or guardian.
- When housing other than tents is used, separate housing must be provided for male and female participants. Adult male leaders must be responsible for the male participants; adult female leaders must be responsible for the female participants.
- Adult leaders need to respect the privacy of the youth members in situations where the youth are changing clothes or taking showers, and intrude only to the extent that health and safety require. Adults need to protect their own privacy in similar situations.
- Although it is not mandatory, councils are strongly encouraged to have separate shower and latrine facilities for females. In camps where separate facilities are not available, separate shower schedules for males and females should be posted. Exercise the buddy system for latrine use by having one person wait outside the entrance, or use Occupied or Unoccupied signs on door latches.
- For more guidelines on camping and supervision for Cub Scouts, see the Guide to Safe Scouting, No. 34416

This is only a few of the topics addressed on National's Website at -

<http://www.scouting.org/cubscouts/resources/cub%20scout%20outdoor%20program%20guidelines.aspx>

Be sure to read the whole thing. It talks about Day Camp, resident Camp, Shooting and more. CD

Get Your Cubs OUTDOORS!!**SURVEY SHOWS TIME-STRESSED MOMS and OVER-SCHEDULED KIDS WANT MORE OUTDOOR PLAY**

NEOSPORIN® Offers "50 Ways to Play" to Help Parents Encourage Safe Outdoor Fun

Before TVs, DVDs, home computers and video games, kids spent most of their free time playing outside. But today, according to the new NEOSPORIN® 50 Years of Healing Survey, 50 percent of moms say their children typically play outside fewer than five hours a week. The nationwide survey of moms also reveals that not only would more than half prefer that their kids play outside the majority of the time, but 53 percent state that kids themselves would prefer to play outside the majority of the time – although fewer than one-quarter do.

So what's stopping children from getting outside to play?

- ✓ One reason may be that they are overscheduled in structured activities: in the survey, only one-third (34%) of mothers report that the activities most often engaged

in by their child include unstructured outdoor play, such as bicycle riding or rollerblading.

- ✓ A second reason is a lack of time: busy moms, time-pressed kids, and even motivated families find that it's sometimes a challenge to come up with new outdoor activities that are affordable, practical and most of all, fun. To help moms and families increase kids' "fresh air time," and to celebrate more than half a century of healing, the makers of the NEOSPORIN® family of healing products has developed "50 Ways to Play," a comprehensive list of ideas for outdoor free play that moms can use as a resource – and kids are sure to enjoy. And because the tips are from the makers of NEOSPORIN® products, the number-one over-the-counter, doctor-recommended brand of antibiotic ointment, the focus is on safe-to-play activities.
- ✓ The survey also points to a third barrier to outdoor play: moms' worries. Two out of five moms say they worry about minor injuries such as cuts, scrapes and bruises, when their children play outside — and only half of all moms say they are aware of the basic steps for proper wound care.

"As a mother of two, I want my children to have the freedom to play outside, but I'm also concerned about minor injuries that may put a damper on playtime," said the founder of Mom Central, Inc., a company that provides advice to busy families, and author of *The Mom Book: 4,278 Tips for Moms*. "To reduce the risk, I always keep a first-aid kit on hand stocked with basics, including bandages, aspirin and an antibiotic ointment like NEOSPORIN®."

Scrapes and cuts are a natural part of playing outside, but moms can protect their kids by learning the

"3 Cs of Wound Care":

- ★ **Clean:** Wash hands carefully before treating the wound. Rinse the wound thoroughly with lukewarm water to remove germs, dirt and small stones.
- ★ **Coat:** Apply an antibiotic ointment, such as NEOSPORIN® Antibiotic Ointment, to the wound one to three times a day to help prevent infection and to minimize the appearance of scars.
- ★ **Cover:** Keep the wound site covered with a sterile bandage to create a moist healing environment. Check the wound daily to monitor healing.

50 Ways to Play

Parents, you can get the fun started with these suggestions from "50 Ways to Play".

Have a blast from your past: Everyone has a favorite playground or backyard game they loved growing up. Why not get outside and introduce the kids to an "oldie but goodie"? Chances are they'll have as much fun with Red Light Green Light, Kick the Can or Flashlight Hide and Seek as you did.

Dripping Dodgeball: Ramp up this childhood favorite by using water balloons instead of balls. Remember, the less full the balloons are, the less likely they are to break, so be sure to fill them up to the MAX!

Track and Field day: Invite neighborhood kids to compete in events like relay races, sprints and long jumps. (Be sure to race on grass only to avoid serious injury, and bring along some Neo to Go®, pocket-sized packets of NEOSPORIN® Antibiotic Ointment in case someone falls.)

Scavenger Hunt! Create a list of ten things that can be found outside with a little bit of concentration, such as specific leaves, feathers or bottle caps. The first child to return with all ten things wins.

Visit <http://www.neosporin.com/opportunitycenter.htm> to get the complete list of 50 tips.

Sorry for the commercial part of this item, but the article and the list are great so take advantage of it when planning your outdoor activities this year!! CD

SPECIAL OPPORTUNITY

Good Turn For America

Sam Houston Area Council

From barn raisings to soup kitchens, ordinary Americans have always made an extraordinary difference in the lives of their neighbors and in their communities by lending a helping hand. Today, America needs the service of its citizens more than ever. Hunger, lack of adequate shelter, poor health—these are issues that affect all of us. The Boy Scouts of America believes that we can do something about these issues—if we work together. That's why we've created Good Turn for America. Good Turn for America is a collaboration with The Salvation Army, Habitat for Humanity, American Red Cross, and thousands of other community organizations that focuses the power of volunteerism on these important community issues. For information, visit <http://www.goodturnforamerica.org/>



Kommsioner Karl

Seneca District, Buckeye Council

A Good Turn is more than simple good manners. It is a special act of kindness.

The Boy Scout Handbook, 11th Edition, p. 55

The Boy Scouts of America's Good Turn traces back to American businessman William D. Boyce who was lost in a London fog. A boy offered to take Boyce to the address he wanted and refused a tip, saying he was a Boy Scout. Boyce's curiosity was aroused. He later had the boy take him to Scouting's British founder, Lord Baden-Powell. From this chance meeting, the Boy Scouts of America was born.

Since 1912, Boy Scouts nationally have been called to serve, from selling war bonds during World War II to collecting canned goods in the 1980s.

Good Turn for America is a national call to service by the Boy Scouts of America to address the issues of hunger, homelessness, and poor health in our nation.

In this effort, the Boy Scouts of America is partnering with some of the nation's most respected service organizations, including The Salvation Army, Habitat for Humanity, and Special Presentation the American Red Cross. These organizations, and thousands of others, will work to provide opportunities for youth and volunteers to fight hunger and homelessness, and teach the habits of healthy living. Youth and volunteers are looking for ways to serve their communities. At the same time, service organizations need dedicated volunteer help. By working together, we can improve our young people, our communities, and the nation.

Project Ideas

- The project should be age-appropriate. Youth should not be asked to participate in activities that are beyond their physical, mental, and emotional capacity.
- There should be proper adult supervision during all phases of the project.
- Appropriate safety guidelines related to the project should be communicated to all participants.
- Those within Scouting should follow the Guide to Safe Scouting.

Food drives

- Conduct or expand Scouting for Food programs
- Participate in collaborative food drives and collect food donations for food pantries

Provide meals to the hungry

- Assist agencies that provide meals to the needy by helping them prepare and serve the meals
- Help deliver meals and food to the homebound and elderly in conjunction with organizations such as Meals on Wheels

Assist organizations that build homes for the needy

- Take part in a Habitat for Humanity homebuilding project
- Assist community beautification projects, including repairing/repainting homes and sprucing up the yards of those in need
- Assist organizations that provide home maintenance services for those in need

Assist shelters and their occupants

- Collect clothing, toiletries, and supplies for people living in shelters.
- Collect books and school supplies for children living in shelters
- Collect toys and gifts for children of prisoners or those living in shelters
- Conduct visits and reading programs for residents
- Conduct entertainment programs for residents
- Provide other volunteer services that improve the quality of shelter life
- Conduct a fund-raiser for a not-for-profit shelter

Offer unit-level community and school-based sports and fitness clinics

- BSA Physical Fitness Award and the Venturing Quest Sports and Fitness Award
- Take a unit hike day/weekend
- Fun run/walk/cycle event
- Scout field games

Conduct a community health awareness project

- Blood drives
- Distribution of healthy living and drug abuse awareness literature
- Distribute organ donor cards to the public
- Conduct a child fingerprinting event

Conduct service projects to build healthier environments

- Tree-planting and revegetation projects
- Park or camp trail maintenance and repair
- Projects to enhance wildlife habitats
- Conservation and recycling projects
- Beautification and litter cleanup projects

How Do I get Involved?

- ★ Go to <http://goodturnforamerica.org/>
- ★ Click on the "TELL US ABOUT YOUR PROJECT" in the left side menu.
- ★ Click "click here to log in or create an account."
- ★ Click the red underlined "Click here."
- ★ Click "I agree."
- ★ You will need your unit Good Turn for America Unit ID number for the first line. You may get this from your District Executive.
- ★ Complete the rest of the information on this page to complete your account creation. Be sure to let others in your unit know what your unit's ID, registration and password is so they can log their hours as well. Or designate someone to enter all of the information for your unit and have the den leaders submit the necessary information to them for entry.
- ★ When you need to enter your service hours, be sure to login from the "Tell us about your project" menu selection. Simply follow the prompts to enter your project hours and details. The website will keep track of the information for you.

Information you will be asked to provide will include:

- The organization or group benefiting from the project
- Partnering organizations
- Date of the project
- Number of Scouts participating
- Number of non-Scouts helping
- Number of adults participating
- Total hours worked

Service projects may be entered throughout the year as they are done, no matter how big or small. After you enter the data for each project, your unit will be eligible to receive the Good Turn for America patch and year segment which can be obtained from the Scout Shop.

Boys' Life Reading Contest for 2008



SAY 'YES' TO READING

Enter the 2008 Boys' Life Reading Contest

Write a one-page report titled "The Best Book I Read This Year" and enter it in the Boys' Life 2008 "Say Yes to Reading!" contest.

The book can be fiction or nonfiction. But the report has to be in your own words — 500 words tops. Enter in one of these three age categories:

- * 8 years old and younger
- * 9 and 10 years old
- * 11 years old and older

First-place winners in each age category will receive a \$100 gift certificate good for any product in the Boy Scouts official retail catalog. Second-place winners will receive a \$75 gift certificate and third-place winners a \$50 certificate.

Everyone who enters will get a free patch like the one shown above. *(And, yes, the patch is a temporary insignia, so it can be worn on your Cub Scout or Boy Scout uniform shirt, on the right pocket. Proudly display it there or anywhere!)* In coming years, you'll have the opportunity to earn different patches.

The contest is open to all Boys' Life readers. Be sure to include your name, address, age and grade in school on the entry.

Send your report, along with a business-size, self-addressed, stamped envelope, to:

Boys' Life Reading Contest
S306
P.O. Box 152079
Irving, TX 75015-2079

Entries must be postmarked by Dec. 31, 2008 and must include entry information and a self-addressed, stamped envelope.

For more details go to www.boyslife.org

**Knot of the Month
Department of Defense Outstanding
Volunteer Service Medal
(MOVSM)**

*Kommissioner Karl
Buckeye Council, BSA*



The OVSM is an honor awarded to members of the armed forces who perform outstanding volunteer community service of a sustained, direct and consequential nature subsequent to 31 December 1992. This is considered a Boy Scout Community Organization Award, so recipients may wear the community service knot above on their BSA uniform, plus the medal or service ribbon is awarded for their military uniform.

To be eligible, an individual's service must:

- Be to a civilian community, to include the military family community
- Be significant in nature and produce tangible results
- Reflect favorably on the Military and Department of Defense
- Be of a sustained and direct nature

There is no specific time period, service should merit the special recognition afforded by this medal.

Here is an award I did not know about. I am sure most all of us have active duty personnel helping our units and councils. Lets see what we can do for them. I wish I had known about this a few months ago. Our District Commissioner just retired after 20 plus years of active duty. It sure would have been great to see him receive this.

Kommissioner Karl

For more information on this award or what other organizational awards are eligible for recognition with a **Boy Scout Community Service Award** go to National's Website -

<http://www.scouting.org/Media/FactSheets/02-582.aspx>

Or

Our (USScouts) website -

http://www.usscouts.org/awards/community_org.asp

GATHERING ACTIVITIES

Note on Word Searches, Word Games, Mazes and such – In order to make these items fit in the two column format of Baloo's Bugle they are shrunk to a width of about 3 inches. Your Cubs probably need bigger pictures. You can get these by copying and pasting the picture from the Word version or clipping the picture in the Adobe (.pdf) version and then enlarging to page width. CD

Helping Hands

Sam Houston Area Council

- ☞ Give each boy a piece of paper with "HELPING HANDS" written across the top of it.
- ☞ Set a time for 5 minutes and have each boy write as many ways as he can think of for him to be helpful to others under each letter.
- ☞ The only words he can use must start with the letter.

Good Will Word Search
Capital Area Council

H	A	P	P	Y	B	A	E	S	K	J
M	E	Q	D	O	E	R	D	C	U	B
E	O	L	O	U	S	R	J	O	L	P
E	P	T	P	R	T	R	C	U	I	A
T	B	E	H	I	A	O	T	T	H	C
I	M	O	O	E	N	Q	A	K	T	K
N	Q	O	H	P	R	X	C	A	O	A
G	A	S	Y	M	L	G	A	C	W	A
D	A	D	M	N	N	K	C	B	A	R
B	E	A	N	R	X	E	O	O	R	D
N	G	I	R	F	W	P	B	D	S	
K	J	L	F	O	L	T	E	F	S	N
W	E	O	E	C	Y	N	E	U	N	K

Find the following words in the puzzle above. Words may be diagonal, horizontal or vertical. Words may be forwards or sdrawkcab.

- | | | |
|---------|---------|----------|
| mom | best | kindness |
| happy | arrow | cub |
| fun | of | scout |
| meeting | light | snow |
| dad | gift | boys |
| wolf | pack | bobcat |
| Webelos | helping | den |
| tree | other | awards |
| do | people | ox |
| your | nine | send |

The Bean Game
Pam,

from the CS program Enrichment Conference at Philmont
Thank you from Dave



Set Up:

Place about 2 dozen dried beans (or large dried seeds to keep it theme related) in a snack or sandwich bag
Have a bag for each Cub Scout

Object:

To balance beans on the back of your hand
The person who can balance the most is the winner

Instructions:

These are written for a right hander, reverse for a lefty

- ✓ Pick up one bean with your left hand
- ✓ Transfer bean to your right hand
- ✓ Place bean on back of left hand
- ✓ While still balancing bean on back of left hand, pick up another bean with your left hand
- ✓ Transfer bean to your right hand
- ✓ Place second bean on back of left hand with first bean
- ✓ While balancing two beans on back of left hand, pick up a third bean with your left hand
- ✓ Transfer bean to your right hand
- ✓ Place third bean on back of left hand with first two beans
- ✓ Keep going (repeating) until one or more beans fall off your hand

Seed Word Search

Baloo

T	U	N	O	C	O	C	Z	P	E	A	S	Z	A	E
G	V	P	X	X	Z	T	P	W	H	K	P	D	M	K
Z	D	S	C	A	X	Y	E	L	R	A	B	B	X	M
C	O	T	Y	L	E	D	O	N	H	D	R	L	T	T
E	Y	D	S	N	R	O	C	A	G	Y	G	C	Q	I
S	O	E	G	M	A	Y	P	G	O	K	V	Q	V	U
L	U	E	O	T	P	O	P	C	O	R	N	P	P	R
W	R	S	O	Y	Z	C	U	B	S	C	O	U	T	F
U	B	E	D	Y	R	D	V	C	E	M	A	S	E	S
D	E	L	T	L	U	F	P	L	E	H	M	Q	D	Y
R	S	P	U	Q	E	B	P	S	B	L	R	E	J	X
W	T	P	R	I	A	I	U	J	Z	I	E	V	B	J
G	O	A	N	G	T	M	K	M	C	S	R	B	B	T
H	G	F	G	S	M	S	T	E	E	T	D	X	X	P
T	O	C	I	D	R	S	S	E	N	D	N	I	K	C

Find the words related to "Seeds of Kindness"

- | | | |
|--------------|-----------|------------|
| COTYLEDON | CUB SCOUT | APPLE SEED |
| SESAME | ACORNS | RICE |
| BARLEY | PEAS | KINDNESS |
| PITS | FRUIT | HELPFUL |
| DO YOUR BEST | EMBRYO | GOOD TURN |
| POPCORN | DICOT | COCONUT |
| | SEEDS | |

If you do a search on create a word search, you can find lots of places to create your own word searches. CD

OPENING CEREMONIES

Say Something Nice

Sam Houston Area Council

Start a den meeting by saying something nice about someone else. Give this part of your meeting a special name. Not everyone needs to participate every time. Give the Scouts an opportunity to thank someone, offer encouragement or share kind words.

Planting Seed of Kindness Opening

Alice, Golden Empire Council

Background -

- A picture made by boys showing good soil, with rocky, dry soil along one side; several "seeds" drawn on paper
- Watering pail or picture of rain
- Picture of sun
- Pictures of "crops" – flowers, wheat, sunflowers, etc.
(Adjust number of seeds to the number of boys)

Narrator: This month, we've been learning about Seeds of Kindness. Let's see what can happen to those seeds. The seed is an idea – we might hear about a service project from our den leader or a teacher. If we decide to help, we might want to find out what we can do.

Cub Scout #1: I heard about a canned food drive from my den leader, and I wanted to help.

Cub Scout #2: My neighbor is old and has trouble keeping her lawn mowed and watered. I wondered it I could help.

Narrator: Sometimes, when we hear about some service or see someone who needs help, we decide to try and find a way to do something. It's like putting seeds in good soil, where they can grow. But

sometimes, we are busy or the problem seems too big for us to do anything about, so we decide we can't help. That's like dropping a seed in rocky, dry soil, where it can't grow. It will just dry up and nothing will come of it.

Cub Scout #3: I heard about the canned food drive, but I don't have time to help – I have soccer practice, and a game on Saturday.

Cub Scout #4: I asked my dad, but he said the local food bank will take care of the problem.

Narrator: Where do you think these seeds ended up? *(Lets the audience decide where each boy should put his seed)* But just getting in the dirt doesn't guarantee a seed will grow – it needs water and sunlight. The water could be compared to a willingness to figure out a way to help, a way to deliver what someone else needs.

Cub Scout #5: I wanted to help with the food drive, too – I decided to ask my neighbors if they could help, so we would get even more cans!

Cub Scout #6: I saw that my neighbor couldn't take care of her lawn anymore, so I asked my dad if he could help me get the lawn mower started and figure out how to finish the job.

Narrator: *(holds up the watering can and adds the sun to the picture)* If we use our imagination and ask other people to help, our "seeds of kindness" can keep growing.

Cub Scout #7: When I went to pick up cans from my neighbors, one of them said they had a grandma who needed help from the food bank sometimes. They said they were happy to help, and that made me feel good!

Cub Scout #8: It was a lot of fun to find a way that I could help – I collected coats from my family, kids at school, and neighbors, and donated them to a clothing drive. I had such a good time that I am going to do it again! And it made me very glad that I have my own warm clothes for the winter.

Narrator: So we discovered that "Seeds of Kindness" grow only when we each decide to do something for others. Then they can produce a crop of gratitude, and a desire to do more. We have learned to keep our eyes open for other opportunities to be kind. *(Put up the picture or drawing of flowers or a food crop)* In the United States of America, we have a tradition of helping others. Let us honor that tradition by pledging allegiance to our flag.

Planting Seeds ...

Grand Teton Council

Set Up: Seven Cub Scouts with placards having appropriate picture on front and their parts on back in LARGE print.

Cub Scout #1: In America, we plant seeds of kindness every day. Our founding fathers thought all Americans should be treated equally.

Cub Scout #2: I plant seeds of kindness when I go to school to learn. Playing and Sharing with others in my school.

Cub Scout #3: I plant seeds of kindness when I worship as I choose, and as I let other people worship as they want.

Cub Scout #4: I plant seeds of kindness when I write an editorial to a newspaper praising the good things in my community. All Americans are free to express their opinions.

Cub Scout #5: I plant seeds of kindness by living free and treating nature and others with respect. All Americans are free, too.

Cub Scout #6: I plant seeds of kindness by being proud to be an American. All Americans should take pride in their country.

Cub Scout #7: I plant seeds of kindness when I pledge allegiance to the Flag of the United States of America in a proper way. Please stand and salute the flag and repeat the pledge with me.

Farmer's Welcome

San Gabriel Valley, Long Beach & Verdugo Hills Councils (Cubmaster enters dressed in farmer's clothes. He could wear overalls or jeans with a plaid shirt, a straw hat, etc.)

Welcome, everyone, to the farm yard of Pack _____. I'm Farmer _____, the Boss around here. I'm really glad you could come visit us tonight.

You know, on the farm there is plenty of work to do. Everyone in my family is busy planting seeds, harvesting crops, feeding the animals, and just keeping the farm running. But we are never too busy to help out neighbors in need, or help out at the local church or even raise the flag down at the town square. We call that Spreading Seeds of Kindness.

That's one thing I like about the Cub Scouts. You are busy with school work, and earning all those fancy awards, and playing with your buddies, but you are never too busy to spread seeds of kindness and help when you're needed. I like that line in the Cub Scout Promise that says -

—..to do my best, to do my duty to God and my Country... .

You really know how to do your best and to do your duty, both to God and your Country. Will you please rise and reflect on how you can continue to do your duty to God and this great country as we salute the flag and say the Pledge of Allegiance?

GREETINGS

Capital Area Council

Set Up:

The Den Chief explains that the audience is to respond by doing as the boys say and then introduces the ceremony.

The boys hold cards that spell out the word G-R-E-E-T-I-N-G-S. Each exposes his card as he speaks his line.

Cub Scout #1: **G** - Glad to see you here tonight. Let's spread some Seeds of Kindness

Cub Scout #2: **R** - Reach out your hand to a friend left or right.

Cub Scout #3: **E** - Everyone smile and shake his hand,

Cub Scout #4: **E** - Everybody smile and nod at another friend.

Cub Scout #5: **T** - Together now, stand up on your feet,

Cub Scout #6: I - I'd like for you all to take your seat.
Cub Scout #7: N - Now that we're all friends, we'll start the show,
Cub Scout #8: G - Good will is a feeling we get from sreading seeds of kindness
Cub Scout #9: S - So now we say greetings to everyone.
All - We've tried to sow the seeds of kindness in all that we have done. So Cubmaster, our program's begun.
The boys motion for Cubmaster to come on stage

Helping Other People*Sam Houston Area Council*

After the flags have been posted, but before the pledge, have parents or Den Chief/Den Leader read the following off of cards you have prepared.

- Cub Scout #1:** Helping other people might be picking up a toy or a bottle that a boy dropped.
Cub Scout #2: Helping other people might be playing with a younger brother or sister while mom is busy.
Cub Scout #3: Helping other people might be telling a friend he did a great job when he did his best.
Cub Scout #4: Helping other people might be shoveling a walk of someone not able.
Cub Scout #5: Helping other people may be simple everyday things, even a smile, or difficult things like fighting for our country.
Cub Scout #6: The people throughout history that have kept our country free helped other people, you and me. As we pledge our allegiance to the flag, let us be glad that others have helped other people. *Cub Scout leads the pledge.*

Building A Better World*Capital Area Council*

11 Cub Scouts, each holding a card with a letter on the front and his line on the back. Each speaker holds up his letter as he says his line. Last line delivered by all.

Den leader introduces this Opening by stating – All this month we have been learning how a Cub Scouts can spread seeds of kindness and through these acts of kindness they can help build a better world. We will now show you how Cub Scouts spreading seeds of kindness can help build a Better World -

- Cub Scout #1:** B for BROTHERHOOD, boosting for each other's good
Cub Scout #2: E for EVERY LAND to share in earth's riches everywhere
Cub Scout #3: T for TRUSTFULNESS, trusting more and fearing less
Cub Scout #4: T for TEAMWORK, for joining hands to put things through
Cub Scout #5: E for EQUAL CHANCE for each nation to advance
Cub Scout #6: R for REAL RESPECT in spite of race, creed, or sect.
Cub Scout #7: W for WILL TO WORK for peace with faith and skill

- Cub Scout #8:** O for OPPORTUNITY to keep our speech and action free
Cub Scout #9: R for REVERENCE for a guiding providence
Cub Scout #10: L for LOVE TO SPREAD around when need and bitterness are found
Cub Scout #11: D for DIGNITY of man devoted to a better plan.

(All hold up letters)

Den leader - There you have it - that is how you build A BETTER WORLD.

Farmer's Welcome

San Gabriel Valley, Long Beach & Verdugo Hills Councils
 (Cubmaster enters dressed in farmer's clothes. He could wear overalls or jeans with a plaid shirt, a straw hat, etc.)

Welcome, everyone, to the farm yard of Pack _____. I'm Farmer _____, the Boss around h e r e . I'm really glad you could come visit us tonight.

You know, on the farm there is plenty of work to do. Everyone in my family is busy planting seeds, harvesting crops, feeding the animals, and just keeping the farm running. But we are never too busy to help out neighbors in need, or help out at the local church or even raise the flag down at the town square.

That's one thing I like about the Cub Scouts. You are busy with school work, and earning all those fancy awards, and playing with your buddies, but you are never too busy to spread seeds of kindness and help when you're needed. I like that line in the Cub Scout Promise that says -

—..to do my best, to do my duty to God and my Country...
 You really know how to do your best and to do your duty, both to God and your Country. Will you please rise and reflect on how you can continue to do your duty to God and this great country as we salute the flag and say the Pledge of Allegiance?

Seeds of Kindness Opening*Grand Teton Council*

Equipment: Cornucopia, Carrot seed packet, Carrots with tops on

Cubmaster: This is the time of year when crops have been gathered in for the harvest. In the spring, seeds were planted (hold up seed packet), and in the fall, we see the results (hold up the carrots). Just as small seeds become fruits and vegetables, all around us, we can plant other seeds - all year round – even as Cub Scouts. Part of the Cub Scout Promise is “to help other people.” So tonight we are going to plant seeds of kindness, seeds of caring, seeds of service. One of the great things about our nation is the service that Americans give – to each other, and to those of other nations. Let us celebrate this greatness by singing together, “No Man is an Island” (or substitute another song that your group would be familiar with, i.e., *God Bless America*, etc)

No Man is an Island

Grand Teton Council

No man is an island, no man stands alone
 Each man's joy is joy to me
 Each man's grief is my own
 We need one another, so I will defend
 Each man as my brother
 Each man as my friend

No man is an island far out in the blue
 We all look to One above
 Who our strength doth renew
 When I help my brother
 Then I know that I plant the seeds
 Of friends that will never die

I saw the people gather
 I heard the music start
 The song that they were singing
 Is ringing in my heart

No man is an island, no man stands alone
 Each man's joy is joy to me
 Each man's grief is my own
 We need one another, so I will defend
 Each man as my brother
 Each man as my friend

AS A GOOD CITIZEN OPENING

Heart of America Council

Set Up: - Six Cub Scouts with placards with appropriate pictures on the front and their parts on back in LARGE print.

- Cub Scout #1:** As a good citizen I will try to be helpful and kind.
- Cub Scout #2:** I will strive to take good care of all property and practice safety and health rules.
- Cub Scout #3:** I will practice thrift and good work habits.
- Cub Scout #4:** I will show a respect for authority. I will be honest and dependable.
- Cub Scout #5:** Fair play and good manners will be my goal.
- Cub Scout #6:** I will take pride in achieving and be patriotic and loyal to my hometown and country.

AUDIENCE PARTICIPATIONS & STORIES

Helping Others

Capital Area Council

Divide audience up into six parts.
 Assign each part an action to do and say when their key word is read. Practice as you assign parts.

- Lights:** "Blink, blink, blink"
- Cub Scout:** "Do Your Best"
- Helping Other People:** "Warm Fuzzy"
- Pack:** Yell the Pack Number
- Old Lady:** "No, I Don't Want To Go"
- Tree:** "Ahhhhhhhhh"

Once upon a time, in a **CUB SCOUT PACK** a **CUB SCOUT** was learning about **HELPING OTHER PEOPLE**.

The **CUB SCOUT** helped an **OLD LADY** across the street. But the **OLD LADY** did not want the **CUB SCOUT** to help her. The **OLD LADY** did not care that the **CUB SCOUT** had been learning about **HELPING OTHER PEOPLE** or that the **CUB SCOUT** and his **PACK** had set out to do good deeds. The **OLD LADY** just wanted to get a **TREE**. But the **CUB SCOUT** and his **PACK** were learning about **HELPING OTHER PEOPLE** and really wanted to **HELP OTHER PEOPLE** and so the **CUB SCOUT** helped the **OLD LADY** across the street. The **OLD LADY** thought what kind of a **PACK** is this?

The **OLD LADY** just wanted her **TREE** and pretty **LIGHTS**. The **CUB SCOUT** said, "Nice **OLD LADY**, my **CUB SCOUT PACK** and I are learning about **HELPING OTHER PEOPLE**. I'll help you get your **TREE** and put your pretty **LIGHTS** on, if you will just let me learn about **HELPING OTHER PEOPLE** by getting you across this busy street." The **OLD LADY** sighed and smiled and said "Thank you."

The King's Highway

Grand Teton Council

Once a king had a great highway built for the members of his kingdom. After it was completed, but before it was opened to the public, the king decided to have a contest. He invited as many as desired to participate. Their challenge was to see who could travel the highway best. On the day of the contest the people came. Some of them had fine clothing, fine hairdos, or great food. Some young men came in their track clothes and ran along the highway. People traveled the highway all day, but each one, when he arrived at the end, complained to the king that there was a large pile of rocks and debris left on the road at one spot, and this got in their way and hindered their travel.

At the end of the day, a lone traveler crossed the finish line and wearily walked over to the king. He was tired and dirty, but he addressed the king with great respect and handed him a bag of gold. He explained, "I stopped along the way to clear away a pile of rocks and debris that was blocking the road. This bag of gold was under it all, and I want you to return it to its rightful owner."

The king replied, "You are the rightful owner."

The traveler replied, "Oh no, this is not mine. I've never known such money."

"Oh yes," said the king. "You've earned this gold, for you won my contest. He who travels the road best is he who makes the road smoother for those who will follow."

BROKEN WATER JUG

Great Salt Lake Council

This was a little long for a Cubmaster's minute but it is a great story. Use it wherever you want. CD

100 years ago a family lived in the St. George area. Water had to be carried from the creek everyday for the family's use. Two large pots were suspended across the carriers back on a stout stick. One of the pots had a crack in it, while the other pot was perfect and always delivered a full portion of water. At the end of the long walk from the stream to the house, the cracked pot arrived only half full.

All summer this went on daily, with the bearer delivering only one and a half pots full of water to his house. Of course, the perfect pot was proud of its accomplishments, but the poor cracked pot was ashamed of its imperfection, and miserable that it was able to accomplish only half of what it had been made to do.

Finally it could bear it no longer and said to the bearer, "I am ashamed of

myself, and I want to apologize to you. I have been able to deliver only half my load because this crack in my side causes water to leak out all the way back to your house. Because of my flaws, you have to do all of this work, and you don't get full value from your efforts."

The bearer said to the pot, "Did you notice that there were flowers only on your side of the path? That's because I have known about your flaw, and I planted flower seeds, and every day while we walk back, you've watered them. I have been able to have these beautiful flowers to enjoy. Without you being just the way you are, there would not be this beauty for us all to look at"

It's the cracks and flaws we each have that make our lives together so very interesting and rewarding. Take each person for what they are, and look for the good in them.

BIG TURKEY HUNT

Heart of America Council

Divide audience into seven parts. Assign each part a word and a response. Instruct them they are to say the response whenever they hear the word. Practice as you make assignments.

Vance	"I love to swim"
Pilgrim:	Whistle
Turkey:	Gobble, Gobble
Duck:	Quack, Quack
Squirrel:	Chatter, Chatter
Fish:	Bubble, Bubble
Bear:	Growl, Growl
Bee:	Buzz, Buzz

Hunt: All stand and make their sounds

Once upon a time, there was a PILGRIM who decided to go out to HUNT for a TURKEY for his Thanksgiving dinner. As he walked along through the forest, all of a sudden he met a DUCK.

"Hello, DUCK," he said. "Have you seen the TURKEY? I'm on a big HUNT for him." "No," said the DUCK, with a sly wink. So the PILGRIM marched along till all of a sudden he spied a SQUIRREL playing in the treetops. "Good day, SQUIRREL," said the PILGRIM. "Have you seen the TURKEY? I'm on a big HUNT for him." "No, No!" said the SQUIRREL, smiling behind his paw.

As the PILGRIM crossed the brook, he bent down from the bridge when he saw a FISH swimming near the surface. "Oh, FISH," said he, "has the TURKEY been down to the water for a drink today?" "No, not for a long time," said the FISH, diving deep to hide his laughter. The poor PILGRIM continued down the shady path and suddenly came face to face with a big brown BEAR. "Hello, B-BEAR," he said. "H-have you s-seen the TURKEY? I'm on a b-big HUNT

for him." "No!" said the BEAR, "I don't even know what a TURKEY is." But he gave a rumbling laugh.

The PILGRIM was feeling quite depressed by now, for he thought that he would never find the TURKEY. Finally he saw a BEE buzzing by. "Stop a minute, BEE," he said. "You fly just about everywhere; is the TURKEY near? I'm on a big HUNT for him." No," buzzed the BEE, "nowhere around here." And he flew away, buzzing hard to hide his chuckles.

Soon the PILGRIM saw ahead of him a clump of bushes and small trees. As he neared it, here suddenly rang out the most deafening noise you ever heard. It was the most ferocious growl of the BEAR, the loudest buzz of the BEE, the biggest bubbles of the FISH, the most irritable chatter of the SQUIRREL, the squawkiest quack of the DUCK and the deepest gobble of the TURKEY.... TURKEY had hidden himself in the midst of the thicket, and all of his friends had gathered together to try to scare the PILGRIM out of his boots and away from the TURKEY.

But the joke was on him, for guess what! All the PILGRIM had wanted to do was invite the TURKEY to help him eat his bountiful harvest Thanksgiving dinner! As the poor misunderstood PILGRIM let out a very loud yell and took off for home, all heard him exclaim, ere he hove out of sight, "That's the last HUNT I'll go on, so good-night, good-night."

ADVANCEMENT CEREMONIES

Seeds of Kindness Advancement Ceremony Ideas

Grand Teton Council

- 1) Attach awards to "seeds of kindness" packets. Talk about kindness, and how the seeds we plan grow great dividends in the future.
- 2) Have a "plant" (dead tree branch, twig, etc) to which you have attached "leaves" made of paper or fun foam, etc. On the leaves are written the good deeds the Cub Scouts have done this month. Attached to some of them are the awards the boys are receiving. Be sure to talk about the awards.
- 3) Make a "garden" with a miniature picket fence (glued to styrofoam so it will stand up), with "grass" or "soil" (crumpled paper, straw if you would like, something to simulate soil). In the soil, place the awards, attached to "vegetables." You can make your own, or you can use real ones (clean ones, of course). Have small hoes, shovels, or other gardening implements for children available. Let boys "dig" their awards from the "soil."

Advancement Ceremony Ideas

1998 Simon Kenton Council

- ★ Give each boy an apple with his award and tell them that Johnny Appleseed would be as proud of them as his parents and everyone in the pack are.
- ★ To give recognition to leaders and parents, who have done something for the pack, give them a package of seeds (preferable apple) and tell them you appreciate the seeds they are planting for the future.

- ★ Another recognition for adults, who have helped during the month, is to give them a package of lifesavers and tell them they are just like Molly Brown, unsinkable in helping our pack.
- ★ Use a fake tree or small live one in a pot, put the boys awards in plastic apples and attach to the tree. The boys can "pick the apple" and get their awards.

CUB SCOUTING'S SEEDS

San Gabriel Valley, Long Beach & Verdugo Hills Councils

Equipment: Cloth or paper sack labeled: —Johnny Cub Scout Seeds. Have the advancement awards inside and an apple.

Cubmaster: Cub Scouts, I have here in my hand an apple.

This and many more apples came from a tree that grew from a tiny seed.

A long time ago, right after the American Revolution, there was a man named John Chapman. We know him better as Johnny Appleseed. Johnny Appleseed wandered through Ohio and Indiana for 40 years planting apple orchards. For generations afterward those trees helped feed the people.

The badges we're awarding tonight are like those seeds. They are symbols of growth for our Cub Scouts, who are themselves growing straight and tall like Johnny Appleseed's trees. And like those trees, our Cub Scouts will help other people. (Take badges from sack and give them to parents to put on son's shirts.

GROWING TREE ADVANCEMENT

San Gabriel Valley, Long Beach & Verdugo Hills Councils

Personnel: Cubmaster (CM) and Assistant CM (CA)

Props: Draw on a poster board plants at different stages:

- ★ A seed labeled — Bobcat,
- ★ A small sprout labeled — Tiger;
- ★ A small shoot labeled — Wolf;
- ★ A larger plant labeled — Bear;
- ★ A plant in full bloom labeled — Webelos.

Cover each drawing with a strip of paper loosely attached so that each strip can be easily removed at the appropriate time.

CM A young boy growing in our program starts out like a small seed. Parents are just like farmers, trying to help that seed grow to reach its full potential. It takes many resources and lots of time. Every boy starts as a Bobcat, small seeds all set to sprout. (Pull off paper covering Bobcat seeds). They quickly grow when conditions are favorable. (Call out names of Bobcats. Present awards to parents and congratulate each boy) Lead Cheer.

CA Some boys start Scouting as Tiger Cubs, this is the first growth area in Cub Scouting, earning their Tiger rank. (Pull off strip covering Tiger sprout) Will the following boys and parents please step forward? (Call out names of Tigers. Present awards to parents and congratulate each boy). Lead Cheer

CM The next stage of development comes at Wolf, when the Cub Scout is really starting to grow and take shape in Scouting. (Pull off strip covering Wolf) Will the following Cub Scout and parents please step forward and be recognized for reaching the next

level? Present awards to parents and congratulate each boy. Lead Cheer.

CA Repeat process for Bears. Lead Cheer

CM Close with comments about Webelos having reached full bloom in Cub Scouting. Their next task will be to start in Boy Scouting and grow to a who new level. Lead Cheer

Mighty Oaks From Little Acorns

Baltimore Area Council

Materials needed: Paper cup filled with soil, quick sprouting seeds such as alfalfa, water

Set Up: When a boy is ready to advance from one rank to another, the Cubmaster calls him to the front of the Pack Meeting with his parents and says the following:

Cub Scout _____, you have within you the seed of a man. Through Scouting, that seed may grow. Your advancement tonight from _____ to _____ is part of that growth.

To help you better understand the growth you have to make, we give you this cup of soil (hand cup to Cub), which represents the fertile ground of Scouting with the opportunities and direction it affords you for growth.

When you became a Cub Scout, you planted your seeds in this soil. (Hand Cub seeds to plant in soil.)

For a seed to grow, it must have nourishment. Your Den Leaders nourish your seeds through the activities and projects you work on at den meetings each week. (Have Den Leaders water the soil.)

No seed can grow without the warmth of the sun. By their encouragement and support in Scouting, your parents provide the warmth needed for your own seed to grow. (Ask the parents to help their son place his cup in a sunny spot at home.)

Now, Cub Scout _____, as you receive your advancement, we instruct you to take these seeds home and care for them so they will grow into healthy strong plants. And we promise you that as your seeds grow through the care you give them you too will grow through the care your Cub and Scout leaders give you as you go through the Scouting program.

With a little work this could be adapted for a great Cubmaster's minute. CD

CUB SCOUT SEEDLING

Circle Ten Council

STAGING: Cardboard trees and bushes in background.

Personnel: Cubmaster (CM) and Assistant CM (CA)

CM: Do you see that tree in my backyard? I planted that tree as a seedling the first year my oldest joined Cub Scouts. Look at it now! We did it as a conservation project to show how we can help our environment. **(Or make up your own introduction CD)**

CA: Wow, it sure has grown!!

CM: A young Bobcat starting his Cub Scouting adventure may be like a young seedling just starting to grow like that one used to be in my backyard. We have several Cub Scouts that have earned the Bobcat rank.

CA: Will the following boys and their parents please join us in the backyard. (Reads names)

- CM:** These Cubs, like a planted seedling, have just started. Parents, I give you the Bobcat Badge to present to your sons. Lead Cheer!
- CM:** A young Tiger has gone beyond the Bobcat, and like the seedling is growing into a tree. His limbs are still weak and he still needs support his Adult Partner gives him to stand straight.
- CA:** We have several Cub Scouts tonight that have earned their Tiger Badge, the second rank in Cub Scouting. Will the following boys and their parents come into the backyard. (Read Tiger names)
- CM:** A Tiger Cub has accomplished more than the Bobcat completing his 5 Achievements. He has begun to search, discover and share in the world around him. Parents, please present these Tiger Badges to your sons. Lead Cheer!
- CM:** A young Wolf has gone even further, like the seedling becoming a tree. His limbs are becoming stronger and extending higher. They are becoming visible to the neighborhood reaching out to see and learn.
- CA:** We have several Cub Scouts tonight that have earned the Wolf Badge, the third rank in Cub Scouting. Will the following boys and their parents come into the backyard. (Read Wolf names)
- CM:** A Wolf Cub has completed his 12 Achievements. His experiences, skills, and knowledge have begun to extend beyond his home and have become visible to others. Parents, please present these Wolf Badges to your sons. Lead Cheer!
- CM:** The Bear Scout, the fourth rank of Cub Scouting, has continued up the Scouting trail beyond the Wolf. He has become strong and straight as a young tree, not fully grown yet, but on his way. His search extends beyond his neighborhood into the town and country. His experiences could be fishing in a creek, a hike through town, or visit to local park or zoo. We have several Cub Scouts that have met the challenges of the Bear and will receive their awards tonight.
- CA:** Will the following Cub Scouts and parents join us. (Read names)
- CM:** The Bear Scout has matured and endured the challenges of the Cub Scout trail. His experiences and knowledge are nearly complete. His backyard is beyond his neighborhood. Parents please present these badges to your sons. Lead Cheer!
- CM:** The Webelos Scout is coming to the end of the Cub Scout Trail. He is a fully-grown tree in the Cub Scout forest. He stands straight and tall. His backyard extends up and down the highways. His fun may include Canoeing at a Cub Scout camp, hiking in the woods, and camping overnight. We have several Cub Scouts here tonight that have met the Webelos challenges.
- CA:** Will the following boys and their parents join us in our backyard.
- CM:** The Webelos Scouts have almost completed the Cub Scout trail. They are knowledgeable, skillful, and confident. His backyard is almost limitless. Parents please present these badges to your sons. Lead Cheer!

SONGS

CARING

Heart of America Council

Tune: Dashing Through the Snow

Show caring to your neighbors.
Give friends a helping hand.
Always think kind thoughts.
Let your words be kind,
Caring for folks you know
Is the best way to show
That you love God and all of mankind.

When We're Helping We're Happy

Grand Teton Council

When we're helping, we're happy,
and we sing as we go.
For we like to help (name)
for we all love him(her) so.

Tommy the Cub Scout

Heart of America Council

Tune: Frosty the Snowman

Tommy, the Cub Scout
Was a very happy boy.
With a uniform of blue and gold
And a Den that gave him joy.
Tommy, the Cub Scout
Earned his badges one by one.
He did his best and met the test.
A good citizen he's become.
He helps out other people when
He sees they need a lot.
He does his chores around the house
And feeds his dog (named Spot).
Tommy, the Cub Scout
Does his duty willingly.
Someday he'll join a Boy Scout Troop
And a fine man he will be.

Do A Good Turn

Sam Houston Area Council

Tune: Are You Sleeping

Do a good turn,
Do a good turn,
Do your best,
Do your best,
Do a kindly favor,
Be friendly to your neighbors,
Cheerful Cubs,
Cheerful Cubs.

Do Your Best

Piedmont Area Council

Tune: Are You Sleeping

When you do your best, When you do your best
You'll feel great, You'll feel great
Make and do for others, too, Make and do for others, too
Spread good cheer, Spread good cheer

When You're Helping And You Know It*Capital Area Council*

Tune: When you're happy and you know it
 When you're helping and you know it, Lend a hand
 When you're giving and you show it Things are grand
 If you're helping and you're giving
 Then you help make life worth living
 Keep on helping, keep on giving Take a stand

Give a Gift*Capital Area Council*

Tune: I'd Like To Teach The World To Sing
 I'd like to give the world a gift,
 That all men will be free.
 And though I'm just a growing boy,
 There's things that I can see.
 I see that Scouting is a way
 To start to understand,
 That caring, helping, smiling, learning
 Help me be a man.
 And so at Christmas there's a gift
 That you can give to me.
 Please help me grow in mind and spirit
 To be what I can be.

Be Kind To Your Scouting Friends*Piedmont Area Council*

Tune: The Stars and Stripes Forever
 Be kind to your Scouting friends,
 That's a pledge from one Scout to another.
 Be kind to your leaders today,
 'Cause for helping they don't get any pay.
 Be kind to your neighbors and friends,
 'Cause by caring you follow Scouting's letter.
 Scouting and friendship are grand,
 And as we grow, the world will know,
 We've made things better.

A Smile Is Quite A Funny Thing*Sam Houston Area Council*

Tune: Auld Lang Syne

A smile is quite a funny thing
 It wrinkles up your face,
 And when it's gone you never find
 It's secret hiding place.
 But far more wonderful it is
 To see what smiles can do,
 You smile at one, he smiles at you
 And soon one smile makes two.
 He smiles at someone, since you smile,
 And then that one smiles back,
 And that one smiles until, in truth,
 You fail in keeping track.
 And since a smile can do great good
 By cheering hearts of care,
 Let's smile and not forget the fact
 Those smiles go everywhere.

S-M-I-L-E*Sam Houston Area Council*

Tune: B-I-N-G-O

Cub Scouts like to do one thing...

And "Smiling" is its name oh

S-M-I-L-E

S-M-I-L-E

S-M-I-L-E

And "Smiling is its name oh

Cheefulness is fun to have

And Cub Scouts like to show it

S-M-I-L-E

S-M-I-L-E

S-M-I-L-E

And Cub Scouts like to show it!

A smile is kindness everyday

And so we'll keep on giving...

S-M-I-L-E

S-M-I-L-E

S-M-I-L-E

And so we'll keep on giving!

If I Had A Hammer*Heart of America Council*

If I had a hammer,

I'd hammer in the morning

I'd hammer in the evening,

All over this land

I'd hammer out danger,

I'd hammer out a warning,

I'd hammer out love between my brothers and my sisters,

All over this land.

If I had a bell,

I'd ring it in the morning,

I'd ring it in the evening,

All over this land

I'd ring out danger,

I'd ring out a warning

I'd ring out love between my brothers and my sisters,

All over this land.

If I had a song,

I'd sing it in the morning,

I'd sing it in the evening,

All over this land

I'd sing out danger,

I'd sing out a warning

I'd sing out love between my brothers and my sisters,

All over this land.

Well I got a hammer,

And I got a bell,

And I got a song to sing,

all over this land.

It's the hammer of Justice,

It's the bell of Freedom,

It's the song about Love between my brothers and my sisters,

All over this land.

It's the hammer of Justice,

It's the bell of Freedom,

It's the song about Love between my brothers and my sisters,

All over this land.

Akela's Council*Grand Teton Council*

Tune: Clementine

When Akela holds his council,
And the campfire's all aglow,
We will form a friendship circle
As we sing so sweet and low.

Oh Akela, brave Akela,
True and fair Cub Scouts we'll be.
To our Promise and the Pack Law,
We will pledge our loyalty.

THANKSGIVING SONGS**Turkey Song***Grand Teton Council*

Tune: Bring Back My Bonnie

My turkey went walking one morning,
The November weather to see.
A man with a hatchet approached her,
Oh, bring back my turkey to me.

Chorus:

Bring back, bring back,
Oh, bring back my turkey to me, to me.
Bring back, bring back,
Oh, bring back my turkey to me, to me.

I went down the sidewalk a shoppin'
The signs in shop walks to see
And everywhere hung Great Fat Gobbler.
Oh, bring back my turkey to me.

Chorus

I went out to dinner and ordered,
The best things they had I could see.
They brought it all roasted and sizzling.
They brought back my turkey to me.

New Chorus:

Brought back, brought back,
They brought back my turkey to me.
Brought back, brought back,
They brought back my turkey to me.

THE TURKEY THAT USED HER HEAD*Heart of America Council*

Tune: Tom Dooley

Hang down your head, poor turkey,
Hang down your head and sigh,
Hang down your head, poor turkey,
Poor bird, you're going to die.

Then one day it happened,
Then one day he came,
The farmer with his hatchet,
Came to kill his game.

Suddenly the earth shook
With a mighty quake
The turkey and her sobbing
Made the farmer shake.

Then the hatchet from his hand
Fell down to the ground.

And the turkey jumped upon it.
And promptly she sat down.

There she sat upon it,
While Thanksgiving Day drew nigh.
The farmer he kept watch.
Knowing from hunger she would die.

The day after Thanksgiving dawned,
Bright and snappy clear,
The turkey gave a gobble
As the farmer did draw near.

Then with a flap of her large wings
She got up and strutted away,
She had tried to hatch it,
And saved her neck that way.

The moral of this story,
Is evident, my friend.
If you only use your head,
Then you won't lose it in the end.

THANKSGIVING SONG*Heart of America Council*

Tune: Deck the Halls

Deck the halls with hot roast turkey
Gobble, Gobble, Gobble, Gob - Gob - Gob
Put away the old beef jerky!

Gobble, Gobble, Gobble, Gob - Gob - Gob

Someone say the family blessing!

Gobble, Gobble, Gobble, Gob - Gob - Gob

And pass along the wild rice dressing!

Gobble, Gobble, Gobble, Gob - Gob - Gob

See the gorgeous feast before us

Gobble, Gobble, Gobble, Gob - Gob - Gob

Alka-Seltzer will restore us

Gobble, Gobble, Gobble, Gob - Gob - Gob

Meanwhile, pass the berry jelly

Gobble, Gobble, Gobble, Gob - Gob - Gob

And fill the old Thanksgiving belly

Gobble, Gobble, Gobble, Gob - Gob - Gob!

STUNTS AND APPLAUSES**APPLAUSES & CHEERS***Heart of America Council*

TURKEY APPLAUSE I: Say, "Gobble, gobble, gobble,"

If you want you can add -

then rub stomach and say, "Yum, Yum."

TURKEY APPLAUSE II: Put hands under armpits to make wings, flap wings and yell, "Gobble, gobble, gobble."

*Sam Houston Area Council***Do A Good Turn Cheer**

Have the group stand up to applaud.

They clap once,

Then turn a ¼ turn and clap again,

Then turn another ¼ turn and clap again,

and continue until they have completed a full turn.

Grand Teton Council

Good Turn Cheer: Everyone stand up, turn around, and sit back down.

Constitution Cheer: We, the people, approve!

Capital Area Council

☞ **Bravo** (For an excellent performance) The cheer leader says: "That deserves a Bravo ! We'll do this in a circle." He then proceeds to have one end of the circle start with the 'BRR' sound and proceeds to point around the circle while they do the 'AVOOOO' sound. The sound level should rise as more of the circle comes in.

☞ **Canned Laughter:** Laugh when lid is removed from a can, and stop when lid is closed.

☞ **Good Turn Applause:** Stand up and turn around.

☞ **Great Job Cheer:** Have one half of the audience say "Great" and the other half say "Job." Alternate each side.

☞ **Ice Cube Cheer:** Shape an ice cube with a thumb and index finger, saying, "COOOOOOOL!"

☞ **Double Ice Cube Cheer:** Make an ice cube with a thumb and index finger of each hand, saying, "TOOOOO COOOOOOOL!"

San Gabriel Valley-Long Beach Area-Verdugo Hills Councils

Watermelon Applause: Pretend you're holding a watermelon, run it past your mouth while slurping and turning your head from right to left, then turn your head back spitting out seeds. (*repeated on purpose - CD*)

Cantaloupe Applause: Variation of Watermelon (above) cup hands to hold cantaloupe, take one big bite, then spit out only one seed!

Grape Applause: Use in conjunction with the Watermelon and Cantaloupe applauses. Hold an imaginary grape between thumb and first finger. Pop grape into mouth with appropriate sound.

Southern Watermelon – Say Ya'll after spitting out the pits.

Fruit Salad - Pretend like your eating a watermelon, spit out seeds, then a cantaloupe, then a cherry. (*for cherry, put finger in cheek bone and pop out of mouth*)

Southern Samurai Warrior Watermelon Cheer –
Baloo's Archives

- Hold watermelon in your hands (Upper arms at your sides, elbows bent hands in front of body, palms up)
- Toss watermelon into the air (Say wiiiish (or something like that))
- Pretend to pull out your sword from the imaginary sheath hanging from your belt.
- With two hands on the hilt of the sword, reach up and slice the watermelon in half above your head (say thooop or similar cutting sound)
- Put palms out again to catch the watermelon (Say Fooooomppp or other sound to indicate the catch)
- Do standard watermelon cheer (see above)
- Say Ya'll

RUN-ONS*Sam Houston Area Council***Bird Seed**

Cub Scout #1: May I have 25 cents worth of bird seed?

Cub Scout #2: How many birds do you have?

Cub Scout #1: None yet, but I'm gonna grow some!

Do A Good Turn

Cub Scout #1: (comes on stage turning around)

Cub Scout #2: (comes on stage doing forward rolls)

Cub Scout #3: (comes on stage rolling over and over)

Cub Scout #4: (comes on stage doing cartwheels)

Cub Scout #5: What are you guys doing?

Cub Scouts #1-4: Don't you know a good turn when you see one?

JOKES & RIDDLES*Heart of America Council*

Boy 1: What's the date?

Boy 2: I don't know.

Boy 1: Look at the newspaper.

Boy 2: No good. That's yesterday's paper.

Knock-knock.

Who's there?

Accordion.

Accordion who?

Accordion to the paper, it's going to snow (rain) today.

Cub Scout #1: There were seven copycats sitting on a fence. One jumped off, how many were left?

Cub Scout #2: None.

How can we become wiser from a paper of pin holes?

It will give us many good points.

What does an envelope say, when it is licked?

It just shuts up and says nothing, I think.

What goes in one ear and out the other?

A worm in a cornfield.

SKITS**Magic Of A Smile***Sam Houston Area Council***Set Up:**

Boy #1 is trying a magic trick.

Boys 3, 4, and 5 are watching him

Boy #2 enters, watches, then asks:

Boy #2: What are you doing?

Boy #1: I'm a magician!

Other: Yeah, he's doing magic tricks.

Boy #2: Oh, really? (Watches, then asks) Why are you doing magic tricks?

Boy #1: I like to do magic tricks because that makes people happy and when people are happy they smile and I like to see people smile.

Boy #2: I can make magic!

Others: Oh, sure! No you can't.

Boy #2: Yes I can, but I need all of you to help with this magic trick. (Leaves)

Boy #1: I didn't know he knew how to do magic tricks.

Boy #3: I'll bet he doesn't know any magic.

Boy #4: He probably won't even come back.

Boy #5: He's just showing off.
 Boy #2: (Enters with gardening tools)
 Others: Gardening tools?
 Boy #5: You call that magic?
 Boy #2: No! But with your help and these tools we can make magic.
 Others: Oh, sure! Gardening tools aren't magical. How can they make magic?
 Boy #2: You said magic makes people happy, didn't you?
 Boy #1: Yes, but...
 Boy #2: You said you like to make people happy so they will smile, didn't you?
 Boy #1: Yes, but...
 Boy #2: Well, if we take these tools over to Mrs. Robinson's and clean her front yard, I'll bet she would be happy and she would smile the biggest smile you have ever seen.
 Boy #3: Say, I think you have got magic. I'll rake leaves.
 Boy #4: I'll go and get a lawn mower. I've always wanted to do magic tricks!
 Boy #5: Me too! I'll prune her shrubs. I really like Mrs. Robinson. I'd like to see her smile.
(Boys agree and start to leave)
 Boy #1: Hey, what about my magic?
 Boy #3: We all want to try (boy's name) magic.
 Boy #1: Oh well, I guess I'll go too. Hey, wait for me.

Always Do Good Turns

Sam Houston Area Council

Akela: "Now, (Cubs name), you know you should always do Good Turns."

Cub # 1: I tried, honest!

Akela: OK

[Each Cub enters and says similar things to Akela]

Next to Last Cub: [carrying a small frying pan with a "pancake" in it] I did a good turn!

[He flips pancake over and catches it in pan]

Last Cub: But you should see the mess in the kitchen!

Lost Money

Sam Houston Area Council

Cast: Several Cub Scouts

Setting: Cub Scout #1 is circling around and looking down at the ground.

Cub Scout #2: What are you doing?
 Cub Scout #1: I dropped my money and I'm looking for it.
 Cub Scout #2: Well, I'll help you look.
 Cub Scout #1: That would be great if you could help me!
(Other Cubs come up one at a time and ask him what he is doing. He tells them he lost his money and they agree to help look. Eventually there are several boys circling around looking for the money on the ground.)

Last Cub Scout: What are you doing?
 Cub Scout #1: I'm looking for the money I lost.
 Last Cub Scout: Where did you lose it?
 Cub Scout #1: Down the street by those houses.
 Last Cub Scout: Then why are you looking for it here?
 Cub Scout #1: Because this is where the street light is.

THANKSGIVING SKITS
TUR-KEY OR NOT TUR-KEY

Heart of America Council

Cast: 5 country boys, a turkey

Costumes:

- ✓ Turkey is a boy dressed with construction paper feathers (and optionally, red crepe paper wattle, yellow crepe paper legs and yellow paper beak).
- ✓ Country boys are in jeans and plaid shirts.

Scene 1, Setting: Country Boy 1 has raised the Thanksgiving turkey. It has come time to get the turkey ready for dinner. The boy and the turkey are sitting on the ground by a tree stump. They look sad. The boy holds a blue ribbon.

Boy 2: (Walks across stage behind boy and turkey) Well, it's almost time. (Sits down with them, looking sad)

Boy 3: (Walks across after Boy 2) Boy, a drumstick sure will taste good. I can hardly wait!
 (Looks at boys and turkey) Oops, sorry! (Pets bird, sits down & also looks sad)

Boy 4: (Walks over to others) We're really going to have to get (whispers and points) him ready soon. (Sees that everyone is sad, sits down, looking sad with others)

Boy 5: (Comes in carrying an ax) (The other boys begin to cry and pet the bird) It's time!

As curtain closes on Scene 1, the turkey is leaning over a tree stump with Boy 5 holding a cardboard ax over him.

Scene 2, Setting: All boys and turkey are seated at table. All heads bowed.

Boy 1: Thank you Lord for this corn we are about to have for dinner.

Turkey looks at the audience and gives an exaggerated wink.

THE TURKEY RANCH

Heart of America Council

Cast: Farmer and two visitors.

Setting: The farmer is escorting two visitors around his farm, pointing out all the imaginary buildings and sheds. *(A person unseen to the audience provides a "whoosh!" sound effect. It must be loud enough to be heard for this skit to be effective.)*

Farmer and two visitors are facing the audience.

WHOOSH! (All three heads spin to the left)

WHOOSH! (All three heads spin back the other way)

WHOOSH! (They all look back to the left again)

Visitor 1: What was that? Looked like a turkey, I think.

Farmer: 'Twas! 'Twas a turkey.

Visitor 2: Yeah! A turkey with three legs, if I can believe my eyes.

Farmer: Yup! WE like drumsticks so well that we've been working to invent a whole new breed of turkeys with three legs.

Visitor 1: Really? How do they taste?

Farmer: Can't rightly say. Ain't never been able to catch one of the critters yet.

WHOOSH! WHOOSH! WHOOSH!

All three walk off stage turning their heads from left to right with each Whoosh!

CLOSING CEREMONIES

Goodwill Closing Ceremony

Capital Area Council

Set Up: 8 Cub Scouts each with a sign with one of the letters on front. The words are written on the back in large print. Boys say their parts in turn.

Cub Scout #1: G - Good Cub Scouts are friends to all.

Cub Scout #2: O - On their honor to obey the pack law

Cub Scout #3: O - Once they spread seeds of kindness all around.

Cub Scout #4: D - Doubled friendships will surely be found.

Cub Scout #5: W - Working together to spread the seeds will make the world a better place.

Cub Scout #6: I - Including as friends -- boys from each faith and race.

Cub Scout #7: L - Leaving behind them a path of good cheer planted from their seeds.

Cub Scout #8: L - Let's all practice spreading seeds now and all through the year.

Seeds Of Kindness Closing

Sam Houston Area Council

Set Up:

A group of Cub Scouts is talking with the Cubmaster.

The conversation is ending and the Cubmaster says:

Cubmaster: Remember, guys, it's important to be kind to everyone you meet but, it is most important to be kind to the people in your family.

The Cubmaster walks off stage.

The Cub Scouts start to gather closer together and the conversation continues.

Cub Scout #1 Wow, I never thought about that.

Cub Scout #2 Yeah, I guess it really is important to be kind to my family.

Cub Scout #3 My mom is kind when she cooks our favorite foods. I love it when she makes lasagna.

Cub Scout #4 Mmmmm. Yum! Maybe we can think up a special recipe for our families.

Cub Scout #5 OK. Let's write down the ingredients. (Looks for a card and pencil and starts writing.)

Cub Scout #6 Well, we should probably start with a cup of eagerness. Maybe even three cups. It's important to be eager to help at home.

Cub Scout #1 Sure, and how about some laughter. Maybe two cups. Laughter helps everyone feel good at my house.

Cub Scout #5 This is beginning to look enticing. What next?

Cub Scout #2 How about some courtesy. Two hands full. You can never have enough of that at our house!

Cub Scout #3 What about helpfulness? At least a cup and a half of that!

Cub Scout #4 And the ability to follow instructions. That's really important to my parents.

Cub Scout #6 Oh, and a gallon of patience...especially with my sisters! Write that one in big letters!

Cub Scout #5 Hey guys, this is looking really great. Is there anything we've left out?

Cub Scout #1 I'd say we need at least four cups of love for each other. In fact, we should add a little more for good measure.

Cub Scout #2 Yeah. Don't forget to put down the instructions, too.

Cub Scout #3 Stir it all up. Mix it well.

Cub Scout #4 What will we call it?

Cub Scout #5 How about "A Recipe for a Happy Family."

Cub Scout #6 And make sure to serve generous portions daily!

Cub Scout Garden of Thoughts

Heart of America Council

Personnel: 7 Cubs dressed in farmer's hats, shirts, levis, etc., with garden tools.

Props: Large cut-outs of vegetables as indicated.

Cub Scout #1: We're Cub Scout farmers who've come your way to share with you, our garden of thoughts for the day.

Cub Scout #2: (holds up carrot) Take care at all times, remembering to do your best each day.

Cub Scout #3: (holds up lettuce) Let us always give a smile to others as we travel down life's way.

Cub Scout #4: (holds up turnip) Be sure to turn up at meetings and participate in pack activities.

Cub Scout #5: (holds up bean) Learn not to put things off, for it's not fun being late.

Cub Scout #6: (holds up beet) In life's game, you can beat if you strive to work with everyone.

Cub Scout #7: (holds up large package of seeds) And now that we've planted some seeds of thought, we'll say good night, for our meeting is adjourned.

The Key

(This could also be an opening or a skit but it leaves a powerful message as a closing)

Baltimore Area Council

Props:

- ✓ A large door marked "Happiness" with easily read letters, big box behind the door
- ✓ Seven cut outs resembling keys each with one word written on it in large letters.

Personnel: Narrator and 7 Cub Scouts.

Outline -

- ★ Each Cub takes his key and tries to open the door.
- ★ As he crosses in front of audience, make sure the key is in front of him with the word facing the audience.
- ★ Have each Cub announce what their key is (read word)
- ★ Have the Narrator give the result

Cub # 1: (key called Effort) - He tries to open the door but cannot unlock it. (He steps aside.)

Cub # 2: (key called Knowledge) - He tries to open door, but cannot (He steps aside.)

Cub # 3: (key called Wealth) - Does same as other boys.

Cub # 4: (key called Honesty) - Does as others.

Cub # 5: (key called Truth) - Does as others.

Cub # 6: (key called Cooperation) - Does as others.

Cub # 7: (key called Love) - He opens the door to find a big gift.

Narrator: Love opens the door to happiness because with love comes the gift of sharing your, knowledge, wealth, effort, and honesty, and truthfully in a cooperative spirit. Love is the spirit of caring and sharing. Let us keep the caring, sharing, feeling all year round for that is the Spirit of Scouts.

Depending on your unit, your location and your audience you could follow this up with I Corinthians, chapter 13,

"The Love Chapter" CD

CEREMONIES

Do More Closing

Sam Houston Area Council

Prop: A candle lit by the leader

Cub Scout #1: This candle represents the spirit of Cub Scouting the world over. It burns today to show the friendship and fun we share.

Cub Scout #2: But there is more that we can do to spread seeds of kindness. Listen:

Cub Scout #3: Do more than belong. Participate

Cub Scout #4: Do more than care. Help.

Cub Scout #5: Do more than believe. Practice.

Cub Scout #6: Do more than be fair. Be kind.

Cub Scout #7: Do more than forgive. Forget.

Cub Scout #8: Do more than dream. Work.

Cub Scout #9: Do more than teach. Inspire.

Cub Scout #10: Do more than live. Grow.

Cub Scout #11: Do more than be friendly. Be a friend.

Cub Scout #12: Do more than give. Serve.

Take Time Closing

Sam Houston Area Council

Set Up:

5 boys can each repeat two lines, or

10 boys can each read a line.

Cub Scout #1: Take time to think.
Thoughts are the source of power.

Cub Scout #2: Take time to play.
Play is the secret of perpetual youth.

Cub Scout #3: Take time to read.
Reading is the fountain of wisdom.

Cub Scout #4: Take time to pray.
Prayer can be a rock of strength in time of trouble.

Cub Scout #5: Take time to love.
Loving is what makes living worthwhile.

Cub Scout #6: Take time to be friendly.
Friendship gives life a delicious flavor.

Cub Scout #7: Take time to laugh.
Laughter is the music of the soul.

Cub Scout #8: Take time to give.
Any day of the year is too short for selfishness.

Cub Scout #9: Take time to do your work.
Pride in your work, no matter what it is nourishes the ego and the spirit.

Cub Scout #10: Take time to show appreciation.
Thanks is the frosting on the cake of life.

All: Good night and take time going home.

THANKSGIVING CLOSING

Heart of America Council

Since grains of corn can become seeds to grow more corn, this ceremony fits with Seeds of Kindness (sort of) CD

Set Up: - Five Cub Scouts with placards with their word on the front and their parts on back in LARGE print.

Narrator: When the Pilgrims celebrated Thanksgiving, they placed five grains of corn at each place at the table. This was a reminder that all our abundance was given by God, and also a reminder of the time when the food supply was so scarce that only five grains were available as the ration of each person. Those five grains were....

Cub Scout #1: GRATITUDE -- For the necessities of life.

Cub Scout #2: PRAISE -- To our God for His good gifts.

Cub Scout #3: COURAGE -- To carry on under many types of difficulties.

Cub Scout #4: SHARING -- With those less fortunate than ourselves.

Cub Scout #5: DEPENDENCE -- On each other and our God for His care.

Narrator: In the manner of the grateful Pilgrims, with their ration of five grains of corn, let us remember the source of all our blessings and be mindful of those who are hungry tonight and resolve that somehow we will continue to spread seeds of kindness.

Cubmaster's Minutes

Spreading a Seed of Kindness

Heart of America Council

A friend of mine once told me of being on a long business trip. His car broke down in the middle of nowhere and he was going to be late for a very important meeting. Just then a farmer came around the corner on a hay wagon, and pulled over to see what was wrong. The farmer and his son often fixed their own machinery and they were quickly able to get my friend's car running again.

My friend offered to pay the farmer and his son for their help, but they refused. He insisted that they must take something because they had saved him so much by letting him get to his meeting on time.

The farmer replied that he and his son now had something far more valuable than the businessman could give them. They had helped someone when they did not have to. That gave them a warm feeling about themselves. If they took the money for an act of kindness, then it would simply be a job, and take the feeling of goodwill away.

Keep your feelings of goodwill by spreading seeds of kindness. It will be the most valuable reward you will ever receive.

Using Our Talents

Sam Houston Area Council

Do you like to put together jigsaw puzzles? Some families find a lot of pleasure putting together a big jigsaw puzzle on a cold autumn night, with cups of steaming hot cocoa and fresh cookies nearby. The most important thing about a jigsaw puzzle is that all of the puzzle pieces must be there. If

even one small piece has been lost, then the whole puzzle is incomplete, and that takes away a lot of the fun of seeing the puzzle come together.

The same thing is true for people. Each of us is a piece of the puzzle that makes up our family, our school, our church, our community. We each have special abilities and skills that no one else has. When you put your abilities together with those of everyone else, it makes a beautiful picture of friendship and cooperation. But if even one of the pieces is missing, then the whole picture is incomplete. Use your abilities to help others; don't let your piece be the one that makes the puzzle incomplete!

Over Four Million

Sam Houston Area Council

So we end this evening of celebrating Seeds of Kindness. But before we go, let us take in this thought...

Today in our country there are over 4.5 million youth and adults in Scouting. That's a good thing to know, a good thing to think about when we start wondering about the future. Four and a half million keeping a promise to "Do My Best," to "Help Other People," and "Respect God and Country." Four and a half million following Baden-Powell's admonition: "Try to leave this world a little better than you found it."

These 4.5 million can make the difference in tomorrow. These 4 and a half million will make the difference in the future of this country and in the future of the world around us.

A Good Turn

Grand Teton Council

In a past issue of the Scouting Magazine, there was a story about a Webelos Scout named Daniel Simon of Pack 381, Buffalo Grove, Illinois. Daniel earned a \$750 gift certificate, and instead of spending the money on himself, he filled seven shopping carts with toys for other children who might not get anything that holiday season. It was a fine example of spreading seeds of kindness and generosity.

For Daniel, the Cub Scout Promise and the Law of the Pack aren't just words; they represent a way of life. Wouldn't it be a great holiday tradition if we all followed Daniel's example and performed some special good turn for someone in need? That would bring a lot of joy to the people we served. It would also bring a lot of joy to us, knowing that we had done something to make someone's life a little better.

When you ask the question, "How do you spread seeds of kindness?" think about what you can do to give good will and serve others. What better way to build good memories that will last forever?

Good Turn Closing Thought

Capital Area Council

Most of us are happiest when we are spreading seeds of kindness. That is doing something good for others. Think, for a moment of a time when you were helpful to someone. Chances are it made you feel pretty good. Of course, we feel best when we do something for others without being found out. When we help others regularly, it soon becomes a habit

and gets to be a natural thing. Once a Cub Scout establishes this habit, he learns the real meaning of a good turn.

Starry Night

Capital Area Council

*Dim or turn off room lights except
for an electric candle or flashlight*

This is the season of lights and stars, when days are short and nights are long with beautiful stars.

Lord Baden-Powell, the founder of Scouting, once said this to his Scouts, "I often think when the sun goes down, and the world is hidden by a big blanket from the light of heaven. But the stars are little holes pierced in that blanket by those who have done good deeds in this world. The stars are not all the same size; some are big, and some are little.

So some men have done great deeds, and some men have done small deeds, but they have all made their hole in the blanket by doing good before they went to heaven."

Let's remember when we look at the starry sky, to make our own hole in the blanket, by doing good deeds that spread seeds of kindness and help other people.

THANKSGIVING THOUGHT

Heart of America Council

As is natural at this time of year, we all start thinking about the blessings in our life. As we do this, we need to think of Cub Scouting and what it means to each of us and what Cub Scouting has brought to our lives. Not only the things we have learned but all the wonderful people we have the pleasure of knowing. I count each of you as a blessing in my life.

SCOUT BENEDICTION

Heart of America Council

Introduction from HOAC -

Over the years I have been involved in many different Scout organizations, all of which have used this prayer at one time or another (or regularly) as a closing. Each seems to have its own variation on the "actions" that accompany it, but in general, they involve holding arms outstretched as in a bowing or veneration posture. If this is new to your group, you can use the "repeat after me" method of reciting it.

May the Great Master

Of all Scouts

Be with us

'Till we meet again.

I Will Do My Best!

Capital Area Council

"I will do my best!" Do these words sound like there is a job that has to be done? Yes, it does. What do they mean? These words explain what every Cub Scout, Webelos, and adult leader has promised to do.

What do they mean for the young 7 year old Cub Scout? For him they mean that he will try to do his best in all things that are taught to him by his Den Leader at den meetings and by his Cubmaster at pack meetings. He has to do his best in helping around the house, school, and community.

What do they mean for the Webelos? He now turns his thought to going on Scout trips, hiking, and camping out under the stars with just the sounds of the night all around him. He learns the first part of the Scout Oath that says, 'On

my honor, I will do my best. Yes, like the knights of old, he has to be gallant, brave, and strong. He has to do his best to be kind, courteous, thrifty, and prepared at all times, especially when called upon in times of need.

What do they mean for the adult Scouter? This is the person who lives up the street and has volunteered to see that activities for the boys get carried out. The adult leaders have to do their best in showing and teaching the boys how to do their best. They give up their time to go to training, committee meetings, and den and pack meetings.

But what is the true meaning of "To do your best"? It means doing the best work and service that you are a of at all times. Service to your family, to God, and to your community. As we leave tonight, let us all remember that doing his best is one way a Cub Scout Gives Goodwill during the holiday season and throughout the year.

THEME RELATED STUFF

Fun Facts About Kindness:

Alice, Golden Empire Council

- ★ Giving a smile is actually easier than giving a frown – it takes fewer muscles!
- ★ In 2007, 163,000 volunteers at the National Park Service donated 5.4 million hours of time worth \$101 million or the equivalent of 2,596 full time employees!
- ★ 80% of the people in this county give to nonprofits.
- ★ Only 10-12% of financial giving is provided by foundations and 5-6% comes from corporations.
- ★ Most of the money given by individuals is from middle and low income people, not the super wealthy!
- ★ Eleven percent of households contributed to religious causes only.
- ★ Twenty-one percent of households contributed to only secular causes.
- ★ Thirty-four percent contributed to both religious and secular causes.
- ★ Only 28.8% of the people in this country do the actual volunteer work for the many service organizations and projects in this country – so your time does matter!
- ★ Recognition in front of their peers is the most valued form of "payback" for volunteers – so remember to recognize parents, leaders and others who help your scout program!
- ★ The median amount of time that people volunteer is 52 hours a year, ranging from 21% who spend from one to fourteen hours up to the 28% who donate between one hundred and four hundred hours a year.

More Good Pack and Den Activities

Alice, Golden Empire Council

SMILE! Did you know it takes fewer muscles to smile than to frown? Make a conscious effort to smile at everyone!

Remind yourself every day to look for opportunities to be kind. When someone drops a pencil, struggles to get packages through a door, take the opportunity to help.

Have each boy commit to doing a kind deed each day for the next month. Share the story of the unknown London Scout who helped Jim Boyce find his way in the fog –

bringing scouting to America was a direct result of this kindness!

Bake cookies or rolls as a family or den and then have fun doing "doorbell ditching" – a favorite for all seven of my children when they were young. We would park around the corner, then one family member would ring the doorbell and race back into hiding. If you really want to enjoy it, NEVER admit it was you!

Fill Dollar Store baskets with fresh fruits for the elderly. This could be done in a neighborhood, or with the help of a church, senior center or chartered organization.

Sign up to help serve a meal at a local shelter, such as Loaves & Fishes or Salvation Army.

Penny Power - Collect pennies from everyone in your pack from now till Dec. 1st. Use the money collected to purchase needed items for a local group, such as Toys for Tots. You might be surprised how much penny change is just lying around!

Take part in a local food, toy, winter coat drive.

With your children, go through and pick out items in good condition, such as toys, books, clothing – then let everyone go with you to drop off your donations.

Have a Pack "Make a Difference Day" – everyone can participate in making, buying or donating items for other people to use. In the past, my pack made wooden toys, cleaned and dressed dolls, made marble bags and filled them, made checker games or other board games – projects can be based on advancement and elective ideas, and families can also work on their own projects at home. See Websites.

Help start or support a local urban garden. A bare plot of earth can support a garden than supplies good food at low cost. For ideas on how to get started, go to [www.heifer](http://www.heifer.org) > [Our Work](#) > [Our Initiatives](#) > [Urban Agriculture](#) > Heifer International's Urban Agriculture Program

Volunteer to help clean up and/or prepare a garden at a local school. Many schools now devote some space to a vegetable garden to help kids learn about healthy food choices. Check with local schools, garden clubs, or "Green" programs – again, ask a reference librarian for local contacts.

Team up with your chartered organization - If they have a site, the Pack can provide man hours, tools, seeds, etc. needed for an urban garden. Produce can be given to a local food bank or Senior Gleaners.

Collect blankets and towels for a pet shelter – Check with a local shelter, wild animal care center or veterinarian for what they need first.

Choose a seeds of kindness symbol – bring it out whenever someone is caught being kind. This could be as simple as a paper "Caught you being kind" that is put on a pillow, to a special statue that makes its appearance on the dinner table whenever a kind deed has been seen.

Give a Hundred – Keep this in mind for the Hundredth Year celebration – but for this theme, commit to doing a Hundred Acts of Kindness, donating a Hundred items or a Hundred quarters, etc. to a charity or service project.

Choose a project from Heifer International – projects range from \$10 to \$5000, from a share in planting seedlings, urban gardens, providing a flock of chicks or a cow or water buffalo, and lots of other choices as well, all over the world. See more information at Websites.

Check out the “Seeds of Kindness” website– one of their “rules” is to do something personally, not to just give money to a charity. “Google” Seeds of Kindness to see some ideas. They have some great examples of how people decided to sow their own “seeds” – here are some ideas from them:

- Purchase donation certificates at your local grocery store, or donate directly to a local food bank or charity of your choice.
- Some families paid utility bills anonymously for neighbors.
- Talk to a local children’s hospital; find out what toys would be appropriate for their use, then buy and donate them.
- One group uses fast food coupons, buys as much product with them as they can afford, then give them out to homeless people they find in their area once a month.

Or go to <http://www.seedsofkindness.com/>

Save some seeds – be kind to future generations: go to www.seedsavers.org for information about how to help save seeds, especially heirloom varieties. This organization helps gardeners share seeds – and many people are finding that heirloom varieties have better flavor and nutrition. They even have gift certificates. Check it out – you might be able to actually “sow” some seeds!

Need help finding a project?

- ★ Go to: www.usaweekend.com/diffday and click on Project Ideas on the left side.
- ★ **Ask!** – Check with your school, church, local charities such as the American Red Cross, food banks, senior gleaners, neighborhood service organizations or local volunteer centers.
- ★ **Check online** – google a type of giving you are drawn to, or go to the Points of Light website and use the interactive map to find a volunteer center near you – they have lots of projects and contacts.

Some personal rules for satisfying giving:

Give anonymously – not knowing who the benefactor is leaves the receiver feeling loved by and grateful to all!

Keep your eyes and ears open – when you see or hear of a need, fill it!

Be creative – and let children offer their creative ideas as well.

Share the bounty – if you have season tickets to a sports event, concerts, theatre and can’t use them, share them.

And of course, you can literally share the bounty – flowers or produce from your garden, or even the seeds from a successful growing season!

Let everyone participate – even the youngest children can make play doh (recipe in Cub Grub) or pick out pictures to use to make a picture dictionary for another child.

Make an inventory of the talents and supplies available to you – you might be surprised at how much you have to offer!

Keep a “Giving” Diary – it could be personal, family or a scrapbook for a den or pack project. Include pictures of preparations, and ask everyone how doing the service project made them feel.

Think about personal passions – if you are especially interested in the environment, help clean up a local creek or “adopt” a local bus stop or neighborhood playground. Make a commitment to go by on a regular basis and pick up trash. Another environmental way to share seeds of kindness is by giving a gift of trees (\$60) or a share of seedlings (\$10), both thru Heifer International. (See websites)

Contact local volunteer bureaus for some ideas for a project you can do. If you don’t know where they are, check with a local librarian – she will have a listing of local possibilities.

Recognize other people and what they contribute. Every week choose people who quietly perform service – the church organist, the neighbor who takes in your garbage can – send them a thank you note or put a container of cookies or some flowers on their doorstep by way of saying “thanks for what you do.” Boys could also give service to a cubmaster, grandparent, pack chair, or someone else who helps make the scout program go.

Pioneer Nurseryman

Scouter Jim, Great Salt Lake Council



Johnny Appleseed certainly went about Spreading Seeds of Kindness CD

In about 1797, a young twenty-two-year-old man packed a bag with some personal belongings, a sack of apple seeds harvested from Pennsylvania cider mills and headed west into the new American frontier. His name was John Chapman, but he would become known as “Johnny Appleseed. He just didn’t travel around scattering apple seeds, he was a practical businessman. It was required by law that settlers plant fifty apples trees the first year on a new homestead. Apples were a good food source and stored well. John took his bag of seeds into the wilderness, and found a likely spot for growing trees. He would clear out the land by chopping the weeds and brush by hand. He then planted his apple seeds in neat rows and surrounded them with brush fences. He had many plots of land where he would raise apple trees. He never carried a gun and had no

fear of man or beast. The Indians accepted him as a friend, and it was said, he would talk to the animals while he worked. He stayed ahead of the pioneers as they moved west. He would sell his sapling trees for a few pennies each or trade them for whatever people had to trade. Sometimes he would take used clothing in trade for his valuable trees, which was usually worn and too large for his small frame. Each fall he would travel east on foot and by canoe to acquire new seeds for new crops of trees. John never married but loved, and was loved, by those he lived among. No one knows how many millions of seeds he planted in the hundreds of nurseries he established in the Northwest Territory, now the states of Ohio, Michigan, Indiana and Illinois. Many of his seedlings traveled across the plains of North America in covered wagons to grow to feed families in the west. John Chapman worked the soil and left the land and everything and everyone else better than he found them.

TIGERS



Here is a great emblem for your Tiger to begin his patch collection. Available at your scout Shop or www.scoutstuff.org.

This ceremony was updated with deletion of the Tiger Cub Motto and Tigers earning Bobcat before Tiger Rank



This ceremony is designed to welcome new Tiger Cubs and/or groups into Tiger Cubs. The Tiger ceremony prop can be made from wood. Paint a simple Tiger Totem on it and mount the candles or lights as shown. I use a large black circle that I Velcro to a display board. Then I have four round toes, each with a picture for the part being read. The ceremony was based on the old Tiger Promise but was modified to be current. Don't hesitate to modify it even further if you wish. CD

Ceremony:

Narrator: When a boy becomes a Tiger Cub, he is just beginning a trail that will lead him through Cub Scouting and into Boy Scouting. This Tiger Cub Totem (hold up) is a symbol of the first part of that trail, the Tiger Cub trail, one that you will walk with your adult partner during the coming year as you search, discover, and share the world around you. Tonight I would like to present to each of you this totem to wear on your uniform. It is to remind you of all the fun you will have while working on the Tiger Badge this

year with your partner. As you progress through Tiger Cubs and finish each achievement requirement, you will be presented a bead to hang from your Tiger Totem. There are White beads for Family Activities, Orange beads for den activities, and Black beads for Go See It activities. The Tiger Totem has a special meaning for you. Listen carefully as we explain it.

Tiger Leader: The palm in the Totem represents the spirit of scouting (light the front candle). The spirit of scouting is one of helping and friendship. Each toe has a special meaning for you, too. Listen close.

Cubmaster: The first toe is (light first candle) to remind you to of your duty to God. Your parents and religious leaders teach you to know and serve God. By following these teachings, you show your love to God.

Asst CM: The second toe is (light second candle) to remind you to love your family. A Tiger Cub should always be kind and helpful to his family. By helping your home to be a happy place, you show your love to your family.

Asst. TL: The third toe is (light third candle) to remind you to love our country. This means being a good American. You help your community in any way you can. By being a good citizen, you show your love to your country.

Cubmaster: The fourth toe is (light fourth candle) to remind you to always **Do Your Best**, as you search, discover and share in our world. The world we live in is a big and beautiful place. There are many things to learn. As a Tiger cub, you will learn a lot about your world.

Now, each time you see a Tiger Totem, it will help you to remember how to be a good Tiger Cub. Would all Tiger Cubs and their partners please stand and repeat the Cub Scout motto.

"Do Your Best "

Congratulations on completing your first step as Cub Scouts. Welcome!! We are excited to have you in our pack.

I welcome all of you to the adventure of Tiger Cubs!

Cubmaster may now lead the pack in a Tiger "spelledown".

Give me a T---(audience yells T!)

Give me an I---(I!)

Give me a G---(G!)

Give me an E---(E!)

Give me an R---(R!)

What's that spell?-----(Tigers!)

What's that spell?-----(Tigers!)

What do they say?-----(R-o-a-r!)

(or do The Tony the Tiger Cheer – "They're great")

Achievement #2 Where I Live

This achievement lets the boys learn about their communities. Learning about their communities will help them realize that when they take care of it the stronger it becomes. And they develop a sense of pride of their communities becoming good citizens of where they live.

Family Activity 2F -

Together with your adult partner, look at a map of your community. The map can be one your adult partner has, or a map that your adult partner draws with you. On that map locate your home, and find three places you like to go. Places to find on the map could be your school, your place of worship, the place where you have your pack meetings, a

store, a park or playground, or the house of a friend or a relative.

If the choice is made to draw a map be sure to put this in their scrapbook.

Den Activity 2D -

This Achievement fits with the Citizenship Character Connection. When we say the Pledge of Allegiance we show that we are proud to live in our country.

If you are wearing your Tiger Cub uniform when you say the Pledge of Allegiance, give the Cub Scout salute and face the U.S. flag. You do not have to take off your Tiger Cub cap if you are wearing one. If you say the Pledge of Allegiance when you are not in uniform, remove your hat, and place your right hand over your heart. When you salute or place your hand over your heart, you are showing your respect for the flag.

Practice the Pledge of Allegiance with your den, and participate in a den or pack flag ceremony.

In discussing the Pledge of Allegiance, The Tiger Book stresses the point that "One Nation Under God" should be said as a continuous phrase without a pause in the middle.

From personal experience I know saying it this way (although hard at first) adds more meaning to the Pledge for me. Please teach this to your Tigers (and all Scouts).

Thank You – Commissioner Dave

Go See It Activity 2G –

One of the easiest ways to get to know your community is to go out and "do the town." Understand that each community is different and you may not be able to do in one community that you could do in another. The following is a list of suggested places besides the Police Station or Fire Station listed in the Achievement within many communities that the Tiger group could visit when working on this Achievement.

- ✓ Visit Town Hall. Learn what services are available for others within your community.
- ✓ Visit a bakery, a restaurant or store.
- ✓ Have a scavenger hunt. Plan the list of items that can be found locally.
- ✓ Plan a 'make believe' stay at home vacation.
- ✓ What other things can be done or visited in your area.
- ✓ Visit a nursing or retirement home.
- ✓ Take a tray of favors for the children's ward of a hospital.
- ✓ Visit community organizations that give aid to the needy.
- ✓ Visit a recycling center. Take aluminum cans and or plastic containers.
- ✓ Visit fire station, hospital or police station.
- ✓ Visit museums, zoos or historical sites.

From A to Z What Families Can Do To Help Their Communities

Southern NJ Council

- A. **Adopt** a stream, park or roadside to clean up and keep beautiful.
- B. **Bring** lunch to school in a lunch box. Save your paper bags.
- C. **Care** for toys so they will last longer. Then you won't have to replace them and can pass them on.

- D. **Donate** clothes that you have outgrown to a needy person or someone smaller.
- E. **Encourage** others to join you in collecting glass, newspaper and aluminum to be recycled.
- F. **Flatten** empty cans, boxes and other containers so they don't take up so much space
- G. **Get** in the habit of turning off the water when you brush your teeth. Turn it on only to wet your brush and to rinse.
- H. **Help** by caring about our wildlife & be very careful with matches.
- I. **Insist** on buying products that are biodegradable (they rot or decompose when discarded.) Most plastics are not.
- J. **Jog** or walk, ride a bike or scooter from place to place to save energy.
- K. **Keep** jars of cold water in the refrigerator so you won't have to run the tap water waiting for it to get cold.
- L. **Look** for the recycled symbol on products you buy.
- M. **Make** it a habit to cut each six-pack ring. These sometimes wind up in the oceans. Animals often get caught in them.
- N. **Never** litter. Always put your trash in a trash can.
- O. **Open** the blinds in the wintertime to let in the sun. Close blinds in the summer to keep out the sun's heat.
- P. **Plant** a tree to stop soil erosion, give you shade and give birds a home.
- Q. **Quit** buying products that have a lot of packaging.
- R. **Reduce** the amount of water you use to keep clean. Take showers, not baths.
- S. **Save** energy by asking your parents to turn down the thermostat.
- T. **Turn** off lights if you are the last person to leave a room. Turn off appliances if you are not using them.
- U. **Use** products made to be used many times, such as sponges or cloth towels.
- V. **Value** and appreciate your Earth. Realize that you can make a difference.
- W. **Watch** what you pour in the drain. Hazardous waste can get into the ground water.
- X. **eXamine** labels before using products. Certain household cleaners can be dangerous.
- Y. **Yearn** to do what you can to help our environment. Grow up to be an adult who takes an interest, too.
- Z. **Zip** to close doors and windows if they are opened when the heater or air conditioner is on.

WALK AROUND THE BLOCK

Circle Ten Council

- Shadow Walk:** Walk only in the shadows, that may require some jumping. (Don't plan this walk at noon since that is when shadows are their shortest)
- Smell Walk:** Sniff your way around the block. Write down the odors you recognize, and draw a picture of what causes those smells. Label how you feel about each smell.

Color Walk: Choose a color like red and walk only toward red object for as long as you can. Can you make it all the way around your block? Write a history of your color walk. You might try drawing a map of it.

Sound Walk: Listen your way around the block. Write down the sounds you recognize. Draw a picture of the things, which cause these sounds. Label how you feel about each sound.

Other Achievement #2 Ideas

York Adams Council

Gathering: Have a map of your community spread out on a table. As scouts and their partners arrive, have them mark on the map the location of their home. Compare distances between each Tiger and to the nearest store or local landmark of your choice.

Opening: For Tigers this is short and sweet. Remember the new slogan you are learning in Scouts---**KISMIF (Keep it simple, make it fun)**. Ask a Tiger and his partner to lead the group in the Pledge of Allegiance to the United States Flag. As group leader, explain the theme for this meeting and how you hope everyone will learn a little more about your community.

Information Sharing: Again this is as it sounds. Share any information coming from the Pack, i.e. When is Pack meeting, what do the Tigers need to do to prepare, when the next meeting will be and who is running it. Should there be expenses for the group, now is the time that money should be collected.

Activity: Using the map, that now has the group's homes located, start locating various other parts that make up a community. Go around the room and have each scout name another aspect of the community. Some of these may include: Fire Station, Police Station, Town Hall, Library, favorite restaurants, video store, personal place of worship, hospital or physician's office, and more and more and more. Take a minute with each suggestion and see if your group can tell you how this place helps the community. Believe me the video store will have a totally different answer than the police station.

Now it is time to get away from the table. Ask the boys to do an impromptu skit where they meet one by one on the street and each is going somewhere different. See how many places within the community they wish to go. This is the adult partner's time to see the hidden hams within their boys.

Closing: Congratulate the Tigers for a job well done on their skit. Remind partners of any future commitments and gather everyone in a circle for your closing comments. This can be just a single statement of what your community means to you. Thank everyone for coming and send them on their way.

Meeting Ideas

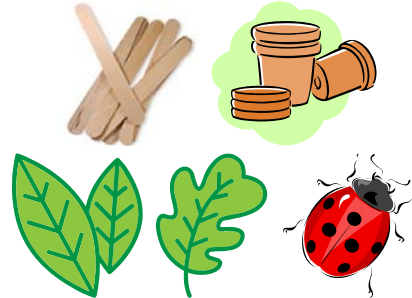
1. Draw a map of your community and include places of interest as listed from the group.
2. Make fire chief and policeman puppets as found in the Tiger Cub Resource book.
3. Play pin your town on the map, again described in the Tiger Cub Resource book.
4. Using a town map, plan and do a Town bike trip.

PACK AND DEN ACTIVITIES

"Spreading Seeds of Kindness " Planter

Baloo Original (almost)

This little planter would look great with a painted pot and full of flowers.



What you will need:

- Large craft stick,
- green fun foam,
- another color of fun foam (red if you do a ladybug),
- permanent marker,
- thin black wire and
- glue.
- Potting soil
- Plants for the pots (optional?)

What to do:

Before the boys get there:

- Create a simple leaf pattern. Look at leaf pictures in their books or a Boy Scout Handbook or on the web for ideas.
- Create a pattern for a bug. A red ladybug would look great but ants, bees, and others work, too
- Set up the other supplies



When the boys get there, have each one:

- ✎ Cut out a leaf shape using your pattern and green fun foam
- ✎ Cut out the bug using fun foam (red if a ladybug)
- ✎ Decorate the bug with a permanent marker. (Black spots and head for a ladybug)
- ✎ Glue black wire onto to back of the bug for antennae.
- ✎ Glue the leaf to the large craft stick..
- ✎ Glue the bug onto the leaf.
- ✎ Write "Spreading Seeds of Kindness" on the leaf.
- ✎ Plant the plant in the potting soil in the pot
- ✎ Water
- ✎ Stick the large craft stick into the potting soil.

Service Activities

Piedmont Area Council

- ★ Give some of the toys Cub Scouts may have made as part of the Craftsman badge to a children's home, hospital, or institution for handicapped children.
- ★ Use Craftsman skills to repair or refurbish toys for the same purpose.
- ★ Collect good used books and magazines for the library of a children's home or institution for the elderly.
- ★ Service, best exemplified by the daily Good Turn has long been a tradition in Scouting. Good citizenship is best taught by service in action.
- ★ To get the most Cub Scouting has to offer, boys should have opportunities to take part in den and pack service projects. This is one of the best way to show boys that helping other people is not only beneficial to others, but is fun and rewarding for themselves. They will experience a warm feeling that comes from giving to others.

Seeds Of Kindness Starters – Service Project Suggestions

Sam Houston Area Council

- ★ Visit a nursing home and spend time with the elderly – playing checkers, reading to them, listening to them, writing letters for them, etc.
- ★ Bake cookies for the entire staff at a school, including custodial, clerical, cafeteria, and administrative employees, as well as teachers and their aides.
- ★ Make puppets and put on a show for a children's hospital.
- ★ Host a faculty/staff breakfast for a school.
- ★ Collect pet food, blankets, towels, toys, and other supplies for an animal shelter.
- ★ Collect canned food and provide a Thanksgiving dinner for a family in crisis.
- ★ Rake leaves, shovel snow, or trim yards of people who are incapacitated, grieving, or accident victims.
- ★ Collect winter hats and mittens for children and families at shelters and crisis centers.
- ★ Clean up litter around the place you hold your meetings, whether it is a faith organization, a school, or other building. Don't forget the playground.
- ★ Collect donations and make pans of lasagna for a soup kitchen or other food service facility. (Check with them first about any guidelines or restrictions.)
- ★ Collect food door-to-door for a food bank.
- ★ Work with a housing nonprofit to build household items, such as benches, planters, window boxes, coat hook racks, and letter holders.
- ★ Collect nonfood items, such as toiletries, new underwear, or socks for a homeless shelter.
- ★ Collect books for a homeless shelter or safe house.
- ★ Clean up a school and plant trees or flowers there.
- ★ Buy coffee and donuts for school bus drivers.
- ★ Set up a bagel table for teachers.
- ★ Trim landscaping around a school, faith organization, or museum.
- ★ Pick up litter at a park.
- ★ Run errands for the elderly.
- ★ Put up and maintain a birdfeeder(s) for outside strategic windows at a nursing home.

- ★ Make get well cards for patients in a children's hospital.
- ★ Collect food, coats, and Halloween candy for children on a reservation.
- ★ Collect used eye glasses for organizations that can distribute them to people who need them.
- ★ Plant or weed a garden.
- ★ Prepare a meal for someone in need.
- ★ Write a letter of appreciation.
- ★ Hug at least three people a day.
- ★ Say "Thank You" to everyone who helps you for one day. Then try doing it for two days. Pretty soon it will be a habit.

Never Too Early to Start Some Holiday Den Activities *Capital Area Council*

This list fits great with our theme and by starting to prepare now to spread some seeds of kindness, you will be ready to deliver in December. CD

Cubs need to be reminded periodically that not all people face this holiday season with the same anticipation. Help them look closely at your own community. Are there people who may not have enough to eat or enough money for a tree and decorations (let alone presents) or people who are in need of company? Some of these may say for "Christmas," but starting now gives the boys more time to participate and if you are working with an organization, you often have to sign up well in advance. Churches or specific organizations have some plans for addressing these issues. Maybe you can join in those efforts or devise your own "good turn." Here are some ideas:

- ✓ Collect clothing, toys, book, school supplies, decorations, and canned goods for shelters for needy families.
- ✓ Make decorations for someone's home or apartment.
- ✓ Help an elderly person or shut-ins to decorate their home for Christmas. Be sure to help them take down the decorations after Christmas.
- ✓ Save money from recycling and purchase a Christmas tree for a needy family.
- ✓ Make a full holiday meal and serve it to low-income elderly (assign each den family to make a certain item).
- ✓ Go caroling on the children's floor at the hospital, at the nursing home or around town.
- ✓ Visit the elderly and share a craft or put on a simple skit or read to them.
- ✓ Select some needy person and become their "secret Santa." Each week of December, mail them some little knick-knack, card, or memento.
- ✓ Make bird feeders: String popcorn and cranberries and hang them where the elderly and the shut-ins may watch the birds come to feed.
- ✓ Have each family bring a piece of clothing (gloves, hat, socks etc.) to the Pack meeting. Have them hang these on a clothesline. Donate all the items to a local homeless shelter.
- ✓ Do yard work regularly during the month for a church, temple, elderly, or shut-ins.
- ✓ Clean up the grounds or plant flowers for the chartered organization.

- ✓ Collect books and magazines for needy families and send them with homemade bookmarks.
- ✓ Share what blessings each of us has

Please note:

*Most institutions have restrictions, so be sure to clear with them before you undertake a project. When you are visiting a place that is normally isolated from the outside world, like a nursing home or convalescent home, please be careful about taking children who have severe colds. The patients/residents are susceptible to outside germs. Remind the boys that a service project is not limited to the holiday season. Many organizations need help throughout the year. The holiday season is just a good time to start a service project. Have the boys get involved in service projects year round. Projects don't have to be big. Please read pages 9-10 to 9-11 in the **Cub Scout Leader Book** for a service project that will be ideal for other times of the year.*

See more other Service Activity ideas from Alice under Theme Related Stuff

Field Trips

Grand Teton Council

- ✓ Local food bank
- ✓ Thrift stores
- ✓ Salvation Army - How do they help?
- ✓ Visit a Humanitarian Center where they help those in need

Activities

Grand Teton Council

- ✓ Shovel walks
- ✓ "Giving Tree" (in many communities, they have a tree where needs of individuals are placed, and people can choose to help anonymously. Your community may have something similar)
- ✓ School bags
- ✓ Gifts for children's ward of hospitals
- ✓ Gifts for homeless shelter
- ✓ Party for younger children
- ✓ Thanksgiving dinner - help with soup kitchen, etc., or invite someone to share your own dinner

Service Circle:

Grand Teton Council

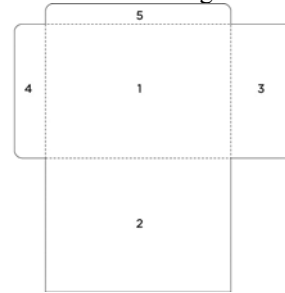
To start this, each boy draws the name of another boy in the den out of a bowl. Then during the upcoming week they need to do an act of service for that boy. It can be done anonymously. At the beginning or end of each den meeting have each boy tell what service they received. Help the boys understand what service is, by you or their parents doing an act for each of them before the first den meeting of the month. And then as a den, talk about this act of service. Instead of putting in the den members' names, you could put in general names of people in their family they could serve. There are many ways this idea could be adapted to your own situations and circumstances.

Seed Packet Patterns

Baloo

There are several items in this issue that call for you to use or make seed packets. This used to stump me. But now thanks to the internet, I have found many places that have patterns and ideas you can download for seed packets.

Most of the patterns look something like this -



If you go to

<http://www.modishblog.com/modish/2008/03/project-seed-pa.html>

You can see this one and get details instructions on how to decorate it. She even has some downloads for premade patterns (*But boy-made patterns are better!!!!*)

And here are some more that I found -

http://www.daniellesplace.com/html/garden_crafts.html
http://www.southernliving.com/southern/gardens/seasonal_gardens/article/0,28012,1116001-2,00.html

<http://www.squidoo.com/flowerseedpackets>

<http://apartmentfarm.wordpress.com/2007/07/13/make-your-own-seed-packets/>

<http://www.masdudiable.com/A55C37/mdd.nsf/dx/Make-your-own-seed-packets.htm?opendocument&comments>

or do your own search -

- Seed Packets
- Seed packet templates
- Make your own seed packets

SEED TOPIARY

Heart of America Council

Gather seeds and beans to create a wonderful geometric design in a clay pot. Learn how to divide and measure a round object the easy way, using rubber bands.

You will need: (for each topiary)

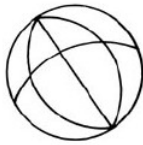
- Dried green and yellow split peas
- Dried black, red kidney and navy beans
- 4" Styrofoam ball
- 2 1/2" Styrofoam ball
- 6" cinnamon stick
- 2 1/2" clay pot
- Tacky glue
- Small handful of green moss
- 3 strands of natural raffia
- 4 rubber bands
- Fine point permanent marker
- Toothpicks
- Scissors, #2 soft pencil, Ruler

Instructions:

- Glue the 2 1/2" ball into the pot.
- Push hard on the foam with your fingers until the foam is level with the top of the pot.
- Make a hole in the center of the foam with the pencil.
- Place a rubber band around the 4" ball dividing it into 2 equal parts.
- Place two more rubber bands around the ball dividing it into six sections.



- Place the fourth rubber band around the center of the ball across the other rubber bands. There are now 12 sections.



- Make lines along the rubber bands with the marker;
- Then remove the rubber bands.
- Sort the different types of peas and beans (an egg carton works well for this).
- Work first on one side of the center line.
- Glue the black beans along the lines to form sections.
- Spread one section with glue.
- Glue a kidney bean in the center and fill with navy beans. Repeat this process first with green peas, then with yellow peas.
- Continue until all sections at the top are filled.
- Let dry.



- Make a 1" deep hole at the bottom on of the ball and glue the cinnamon stick onto it.
- Glue black beans over the lines to form sections, then glue different types of bens in each section as you did the top portion of the ball.
- Glue the cinnamon stick into the hole in the clay pot.
- Allow to dry.
- Glue moss around the base of the cinnamon stick to cover the foam.
- Tie raffia bow around cinnamon stick at bottom of ball and trim tails to 4".
- This makes a good centerpiece for Thanksgiving.

GROW YOUR OWN CORN

Heart of America Council

What you'll need:

Kernels of popcorn
Ziploc bag
Dirt
Water

Directions:

- Place some dirt in a Ziploc bag;
- Add some water and a few kernels of popcorn.
- Seal the bag and place it in a sunny window.
- You should see some growth within a week

Sweet Gum Pod Mouse

Heart of America Council

Almost all the supplies for this Sweet Gum Mouse can be gathered on a nature walk. (Hint)

What you'll need:

Sweet gum pod/ball with stem, Dried (no seeds)
Acorn or other small nut
2 (5 MM) Wiggle eyes
Low temp glue gun or tacky glue
2 tiny Brown pom-poms
Dried pine needles
Scissors
Slice of dead tree branch or other piece of wood for base (about 1/2" thick and 2" across)
Gold spray paint

How to make it:

- Glue the pod to the wood with the stem sticking out. The stem will be the tail.
- Glue the acorn to the other end of the pod, slightly at an angle for the head.
- Glue on the wiggle eyes and the pom-poms for the ears.
- Cut the dried pine needles to the desired size and glue on for the whiskers.

Tips

The sweet gum pod needs to be dried (without seeds) and brown in color. If the pod is green it has not released its seeds yet.

Experiments with Seeds

How Plants Grow

Heart of America Council

Nature has given plants a powerful will to grow, and all you have to do is assist her by supplying their basic needs - moisture, light, air, food and space.

Here are some growing experiments to help you understand the growing process more clearly.

Germination

Seeds need moisture and warmth to germinate. To watch them grow, line the inside of a glass jar with a piece of wet blotting paper. Between the blotter and the glass, place birdseed, radish or grass seed that has been soaked overnight in warm water. Put an inch of water in the bottom of the jar so the blotter will stay moist. Watch for the seeds to develop roots and tiny leaves in a few days. To show the effect of warmth, prepare two identical glasses and set one in the refrigerator.

Root Growth

To show how strong is the instinct of plants to grow with their roots downward seeking a supply of moisture, put a cover on the jar with the sprouted seedlings and turn it upside down. In a day or so the roots will turn downward toward the supply of water.

Stem Growth

Stems grow upwards with equal force, seeking air and light. To observe a plant as it twists its way toward the light, make

an obstacle box from a one-pound cracker box or shoe box. Cut a window about 2" x 3" near the top. Cut two pieces of cardboard as wide as the box and tape them to the sides. Bend them down, leaving a small space. At the bottom, set a small pot with a bean seedling growing in it.

Need of Water

To trace water through plant tissues, make a fresh cut at the bottom of a carrot and piece of celery. Soak for a while in water then place in a fairly concentrated solution of red ink or dye. After a few hours, cut the carrot from top to bottom and cut across the celery stalks.

In the celery, you will find color even in the veins of the leaves. Bi-colored carnations, sometimes seen at the florists, are made by splitting the stem partway and putting each half in a different color. Try this with other white flowers, if available.

Kindness Books

Sam Houston Area Council

Materials: 3" x 5" paper and markers, pencils or pens

Purpose: To emphasize that helping others includes those in our own families.

Boys could make coupon books to give to their parents. Leader prepares slips of paper ahead of time; 3" x 5" is a good size.

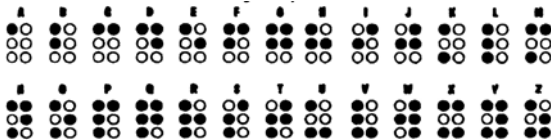
Give each boy about 10.

Boys decide what they can do to help their families and write one thing on each coupon or illustrate it by drawing. The books are then stapled together, and each boy gives his parents the book.

Parents can redeem the coupons by giving one to their son. He agrees to perform the action illustrated on the coupon. Suggestions for coupons could be: doing something without being asked, picking up toys, a bear hug, helping prepare a meal, drawing a special picture, doing an extra chore, etc.

BRAILLE CARDS

Sam Houston Area Council



In the Braille alphabet, a pattern of raised dots represents each letter of the alphabet. A person can "read" through his fingertips by feeling the raised letters. Here is an alphabet written in Braille. The colored dots represent the raised dots. If you poke a pinpoint through the back of each of the colored dots, you can "raise" the letters. Try feeling the pattern with your fingers. Now try to write your own coded message in the Braille alphabet.

Have the boys glue seeds or lentil beans onto index cards. Write the letter on the back for Reference. Use the cards to make messages. Try it blindfolded.

Good Deed Paper Chain

Sam Houston Area Council

Make a paper chain and have the Scouts write the name of a family member on each link.

Direct them to remove a link each day and do a good deed for the person whose name is on the link.

Giving Back Day

Sam Houston Area Council

Ask your Scouts to find a gently used toy, game or book to donate to a local organization that supports children.

Fill bags they have decorated with the items and make a special delivery.

Family Information Board

Sam Houston Area Council

Materials:

- 12 inch square adhesive-backed cork tile,
- 12 inch cardboard square (a packing box is good)
- Heavy rope or twine,
- Wire,
- Tape and glue

Instructions:

- ✓ Remove the paper backing from the cork tile and stick the tile to the cardboard.
- ✓ Cut a 4-foot length of heavy rope or twine and glue it around the edge of the tile as a border.
- ✓ For the hanger, glue or tape a wire loop on the back.
- ✓ Now your family will have a place to post important information.

Thank You Cards

Sam Houston Area Council

Materials:

- paper or index cards,
- markers or crayons,
- magazine pictures or stickers,
- glue,
- envelopes

Instructions:

- ✓ Fold the paper or index card in half to make a card.
- ✓ Have Cub Scouts think about someone who has done something nice or helpful for him. The card could be for a parent, brother, sister, grandparent, neighbor, babysitter, teacher, etc
- ✓ Once the Cub Scouts have thought of someone that they would like to make a card for, let them use their creativity and make it.
- ✓ Then, make sure they get the opportunity to deliver the "thank you" – by mail, in person, etc.

Food Basket

Sam Houston Area Council

- ℞ There may be a family or individual that pack members know or that your chartered organization may be aware of that may need some help having a Thanksgiving dinner.
- ℞ As a pack you could assign canned vegetables, etc for boys to bring.
- ℞ Some boys could bring fruit, others could bring pumpkin pie mix, etc.
- ℞ The pack might even be able to donate a small turkey.
- ℞ At a den meeting, the boys and leaders could bring all items together and then as a group could help deliver the food to the family or individual. (*You could also keep the name of the family or individual anonymous and have a discussion with the boys that sometimes we help people even when we may not know their names.*)

Favorite Play Doh

Alice, Golden Empire Council

Not strictly grub, although it won't hurt if you eat a little during play. It looks, smells, works and even tastes just like the play doh you buy in cans!

Ingredients:**Liquid -**

- 1 tbsp vegetable oil
- 1 cup water
- Food coloring (Paste works best and you can do any color, even black, but regular will work too)

Dry -

- 1 cup flour
- ½ 1/2 cup salt
- 2 tbsp. cream of tartar

Directions:

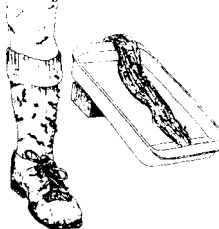
- ✓ Mix the liquids together,
- ✓ Then add the dry ingredients.
(*This is a different way to do it, but this way, you don't have food coloring staining everything in sight*)
- ✓ Now add in the dry ingredients:
- ✓ Mix all ingredients in saucepan.
- ✓ Heat on medium, stirring constantly until ball forms. (The color will suddenly change, and the consistency will become rubbery looking) Takes only 3-5 minutes.
- ✓ Pour out onto a board, let it cool a little, then knead it till soft and pliable.
- ✓ After kneading, store in an airtight container or baggie. It will last a long time.
- ✓ This recipe makes about 4x as much as you get in the little cans.
- ✓ Snack baggies work great for making sets of different colors to give to individual children.

I've done this recipe with lots of children, some as young as two, and they always have fun with it. I've even used it for a project for the Christmas Bishop's storehouse – each child made a batch, then they got to take home just a snack baggie full of the color – the rest went for stockings for other children who needed a Christmas. One time, my den watched one of those claymation cartoons (Gromet or Gumby) then we made play doh in whatever colors the boys wanted. Then, either in pairs or groups, they "produced" their own claymation films – with a parent handling a video cam. Great fun!! Alice

p.s. – it really does taste the same – I tried it!!

Grow A Sock

Heart of America Council

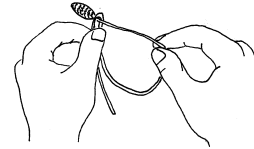


- ✓ Dress each boy in an old pair of high (knee) socks.
- ✓ Go for a walk through a densely vegetated area.
- ✓ An empty lot overgrown with weeds would be excellent
- ✓ Look at the socks! Then take them off.
- ✓ Wet the entire sock

- ✓ Place it in a cake pan placed on a slant.
- ✓ Fill the lower portion of the pan with water so the sock remains wet.
- ✓ Place the pan in a warm place and watch the seeds sprout

Seed-head Shooters

Santa Clara County Council



Some kinds of wildflowers have seed heads left at the tops of their stems when the petals have fallen off. Pull up a long-stemmed seed head and twist the stem around and over itself as shown.

Using the thumb and forefinger of one hand, grip the bent stem near the seed head, and, in a quick, snapping motion, attempt to pull the seed head through the bent stem loop. The seed head will shoot out (somewhere between a few feet and several yards, depending on the age of the stem and the skill of the shooter), and may hit a target.

Windowsill Bird Feeding

Heart of America Council

Jays, nuthatches, and cardinals are bold, curious birds. They will fly right onto a window ledge for a meal. Start by putting bread crumbs on a windowsill. Birds can spot them quickly. When the birds are used to coming to your house to eat, you can switch to sunflower seeds or wild birdseed.

Here's a quick windowsill treat:

Roll 1 cup of peanut butter in birdseed or sunflower seeds to make a ball.

Squeeze it in your hands until it holds together well.

Put the ball on your windowsill. (If you have a backyard, you can put it out on a fencepost).

Bird Feeding Tips

If you can, set up two or three bird feeding stations.

Some birds are bullies. Once they find an eating spot, they will drive other birds away. If there are several eating places, all the birds have a better chance to get their share. Once you start feeding the birds, DON'T STOP. They will come to depend on you for food. If you stop suddenly in the winter, they may starve.

Who Likes What

Sunflower Seeds: Jays, cardinals, chickadees, goldfinches, nuthatches, sparrows
 Millet: Juncos, sparrows, goldfinches
 Peanuts: Jays, chickadees, goldfinches
 Suet and bacon fat: Woodpeckers, chickadees, starlings

BIRD BISCUIT*Heart of America Council***What you'll need:**

- Flat wooden heart (or any wooden shape)
- Peanut butter
- Birdseed
- Drill
- Approximately 4 feet of 1/4 inch wide ribbon
- Bowl

How to make it:

1. Drill one small hole in each side of the heart - same distance from the top so that the heart is not lopsided.
2. Cover the wooden heart completely in peanut butter and then place the heart in a bowl of bird seed.
3. Cover the entire area of the heart with the birdseed making sure no bald spots are left anywhere on the heart.
4. Cut two lengths of ribbon each 2 feet long and run one length of ribbon through each hole.
5. Tie all ends of the ribbons together in a bow or knot.
6. Hang bird biscuit in a tree or somewhere birds have easy access to it.

MARBLED PAPERS*Heart of America Council***About this project—**

With this project you can make professional-looking cards, envelopes, stationery, and anything else you can think of! You may want to monitor your young children, though, because oil paints and marbling inks can be harmful if swallowed. This project is rated EASY to do.

Supplies -

- Assorted colors of oil paints or marbling inks (the inks work better)
- Plain, white paper (computer paper works best)
- An oven pan covered with tin foil (make sure the pan is big enough to fit your paper)
- Water to fill the saucepan
- 1 teaspoon of vinegar (if using marbling inks)
- Newspaper to cover your work area
- A pencil or toothpick

Project how to -

1. Fill the oven pan (with the tin foil over it) with water.
2. If you are using marbling inks, put the teaspoon of vinegar in the oven pan, and mix well.
3. Put in just a tad of the marbling inks or oil paints (using two or more colors works best).
4. Swirl the colors with the pencil or toothpick.
5. Put the paper in the pan slowly. Work quickly, especially when using oil paints. If you do not work quickly, the paint will make a sheet on top of the water, and you will not be able to marble.
6. Take the paper out and put it face down on the newspaper for about a minute.
7. You are done!!
8. Use the paper when completely dry.

PINE CONE TURKEYS*Heart of America Council***About this project—**

This turkey is colorful and easy for youngsters to make. When complete, they make cute table decorations at each place setting for Thanksgiving dinner or holiday parties.

Supplies –

- Plump Pine Cones (spherical about 1 1/2"-2" diameter)
- Bumpy Chenille Wires (1 red, 1 orange, 5 other colors)
- Glue (craft, wood, or all purpose that dries clear)
- Wire Cutter

Project how to –

1. Make sure each pine cone is dried thoroughly.
2. Cut the bumps apart in each chenille wire. Using wire cutters, cut in the center of each place where the wire narrows down--you want the bumps whole and fluffy.
3. Take one red bump and shape into an 'S'. Glue this to the rounded end of the cone with the bump protruding somewhat above the cone for the head of the turkey.
4. Take one orange bump and shape into a 'V'. Glue this under the bottom of the round part of the cone for the legs and feet. The feet can be shaped later. Toes can even be added.
5. Take five to seven other bumps and carefully bend them so the narrow ends can be twisted together leaving the puffy end somewhat rounded. Glue as many of these as nicely fits close to the flatter stemmed end of the pine cone remembering to use glue only on the twisted end of the chenille wire.
6. Let dry and then adjust shaped of chenille wires to make your turkey look more realistic.

Tip:

If you would like to use these as napkin rings, cut the orange chenille wires longer and make them into a circle and glue circle on bottom of turkeys.

Boy Scout Emblem Pony Bead Pattern*Heart of America Council***You need:**

- 65 Ivory Pony Beads
- 39 Blue (or Green) Pony Beads
- 3 Yards Satin Cord
- 1 Lanyard Hook

**Basic Instructions:**

Fold your ribbon in half to find the center. Use a half hitch (see detail) to secure it to lanyard hook.



Lace beads using pattern at right as a guide. Finish by tying off with a double knot. Add beads to laces and knot ends.

MORE GAMES AND ACTIVITIES

Sam Houston Area Council



From the Cub Scout Leader How-To Book –

- ✓ Pack Autumn Harvest Festival, page 6-10
- ✓ Seed Collections, page 4-6
- ✓ Seed Planting Relay, page 3-27

ADVANCEMENT IDEAS

From Program Helps via

www.cubroundtable.com

If you follow the grid on the inside of the cover in the front of Cub Scout Program Helps, your Cub Scouts can complete earning their Rank Awards (Tiger, Wolf, Bear) by the Blue and Gold in February.

Tigers –

Ach:

Den Meetings - 2G, 5D,
At Home - 3F

Elect. 10 or 11, 12, 25, 32

Wolf-

Ach

Den Meetings - 1c, 1d, 1e, 1g, 2a, 3a
At Home - 3b-c, 6a-c, 12a-k

Elect. 11d, 11f

Bear –

Ach

Den Meetings- 3f, 5a, 6g or 7b, 24f
At Home - 3a, b, and j, 24 d and e

Alice, Golden Empire Council

Work on

- ☞ The **Good Turn Award**,
- ☞ The service and/or conservation project for the **National Den Award**,
- ☞ A den conservation project for the **Cub Scout World Conservation Award**

These could all be a focus with this month's theme.

Tiger Cub Achievements:

- ✓ **Ach. #1F** – do something to help someone else;
- ✓ **Ach. #1D** – Make a Giving Scrapbook or add pictures and memories of a service project to a family scrapbook;
- ✓ **Ach. #2F** – Use your map to find and point out places where you could do something kind;
- ✓ **Ach. #4F** – share the story of a good turn each day with your family;
- ✓ **Ach. #5G** – go on a den hike and pick up trash as you go along, as a kindness to others who will enjoy a clean trail after you;

Tiger Cub Electives:

- ✓ **Elect. #2** – Make a seasonal decoration to give to someone else;

- ✓ **Elect. #8** – get to know your religious leader, then do a kindness for them;
- ✓ **Elect. #9** – help a new boy or girl meet other people;
- ✓ **Elect. #10** – help an elderly or shut in person by doing a chore with your adult partner; **Elect. #11** – participate in collecting food, clothes or toys for needy families;
- ✓ **Elect. #12** – send a friendly greeting, or visit someone who might be lonely;
- ✓ **Elect. #14** – read a story about someone who did a kind deed;
- ✓ **Elect. #24** – help prepare for a family meal;
- ✓ **Elect. #26** – learn how to use good manners on the phone so that you can be kind in talking to others;
- ✓ **Elect. #32** – Be kind by feeding the birds;
- ✓ **Elect. #33** – Do a good deed by having a cleanup treasure hunt;
- ✓ **Elect. #34** – Practice being kind to the environment;
- ✓ **Elect. #47** – help the environment by reducing, reusing and recycling;
- ✓ **Elect. #49** – Visit a government office and find out how people who need help are taken care of.

Wolf Cub Scout Achievements:

- ★ **Ach. #4e** – Help around your house by doing your jobs;
- ★ **Ach. #4f** – Visit a place where people receive goods or services that they need and find out how you could help;
- ★ **Ach. #5e** – make something useful for someone else;
- ★ **Ach. #7ca, b, c, d, e, f** - help the environment by learning what you can do, then doing it or reading about three stories of people who are protecting the world;
- ★ **Ach. #8c** – help fix a meal for your family;
- ★ **Ach. #8d** – fix your own breakfast and clean up after yourself ;
- ★ **Ach. #8e** – help an adult plan, prepare and cook an outdoor meal;
- ★ **Ach. #11c** – choose a way to demonstrate kindness to another;
- ★ **Ach. #11d** – find out how you can help your religious group and do it;
- ★ **Ach. #12a** – discuss how it sometimes takes courage to be kind to another;
- ★ **Ach. #12d, i** – discuss how to demonstrate kindness in this situation

Wolf Cub Scout Electives:

- ★ **Elect. #1** – use a secret code to send a kind message to someone;
- ★ **Elect. #2** – help put on a skit or paper bag puppet show about doing kind deeds;
- ★ **Elect. #3a** – make something for your home or school;
- ★ **Elect. #3d** – make door stops for your church, school, community center or chartered organization;
- ★ **Elect. #4a, b, c, d** – make and play a game with younger children;
- ★ **Elect. #6c** – make book covers for someone;
- ★ **Elect. #8b** – help an adult do a job to help someone else using a wheelbarrow;
- ★ **Elect. #9a**- help with a home or den party;
- ★ **Elect. #9b,c** – make a gift or toy for someone;
- ★ **Elect. #13 b, e, f** – help wild birds by putting out nesting material, food, or a birdhouse;

- ★ **Elect. #14a** – be kind and take good care of a pet;
- ★ **Elect. #15 b or d** – Raise flowers or vegetables and share them with others;
- ★ **Elect. #17c** – wrap and tie a package to give to someone;
- ★ **Elect #17d** – tie a stack of newspapers up for recycling – you might do it for an elderly neighbor;
- ★ **Elect. #21b** – use a computer to write a report about how people can help others, or to write a report about a service project;
- ★ **Elect. #22e** – invite a boy to join scouts or help a new Cub Scout do the Bobcat trail

Bear Cub Scout Achievements:

- ☞ **Ach. #1b** – make a list of things you can do to be kind and thoughtful and do them;
- ☞ **Ach. #3b** – choose two famous Americans who have done something to help others;
- ☞ **Ach. #5b** – be kind to birds – make or build a birdhouse and hang it where birds can use it safely;
- ☞ **Ach. #6a** – be kind to the environment by recycling (you might even use the funds you earn to do a good deed);
- ☞ **Ach. #6b** – plant trees to help a local park, neighborhood, or organization;
- ☞ **Ach. #6g** – take part in a den or pack neighborhood cleanup;
- ☞ **Ach. #7e** – make sure emergency numbers are posted by each phone in your house;
- ☞ **Ach. #7f** – find out safe ways you can help law enforcement;
- ☞ **Ach. #8b** – find out what kind of service Cub Scouts gave in the past;
- ☞ **Ach. #8c** – make a den or pack Service Scrapbook, or add pictures and memories about giving service to an existing scrapbook;
- ☞ **Ach. #8f** – keep a journal and note at least one good deed each day;
- ☞ **Ach. #9a** – bake cookies with an adult, then share them with a neighbor or relative to show kindness;
- ☞ **Ach. #9f** – with an adult, make a dessert for your family as a kind deed;
- ☞ **Ach. #10b** – have a family fun night and be kind and show good sportsmanship;
- ☞ **Ach. #17d** – use a computer to find out about organizations that do kind deeds, or to write a report about a family, den or pack service project;
- ☞ **Ach. #18b** – write two letters to relatives or friends;
- ☞ **Ach. #18e** – write two thank you letters to someone who has done something kind;
- ☞ **Ach. #18f** – write a story about a service project that you have done with your family;
- ☞ **Ach. #18g** – Write about a den activity that did something for someone else;
- ☞ **Ach. #20c** – use two tools to make a repair for a neighbor or family member;
- ☞ **Ach. #24a** – help a boy join Scouts or earn his Bobcat;
- ☞ **Ach. #24b** – serve as a denner or assistant denner and be helpful and kind to everyone;
- ☞ **Ach. #24c** – choose a service project to help plan and conduct for your den;

- ☞ **Ach. #24d** – tell two people they have done a good job;
- ☞ **Ach. #24f** – complete the Compassion Character Connection;

Bear Cub Scout Electives:

- ☞ **Elect. #5b** – help an adult repair a boat or canoe;
- ☞ **Elect. #9** – Do an art project to give as a gift;
- ☞ **Elect. #13b** – with your den, put on a magic show for someone else;
- ☞ **Elect. #14a** – help take care of a lawn or flower beds for an organization;
- ☞ **Elect. #14c** – take part in a project to beautify a neighborhood;
- ☞ **Elect. #15e** – as a den project, help clean up a water source close to where you live;
- ☞ **Elect. #17** – with the help of an adult, repair something;
- ☞ **Elect. #21b** – help with a garage or rummage sale to support an organization or other service project.

Webelos Activity Pins:**Craftsman -**

#2 and #4 – Mmake something for someone else.

Readyman -

- #1 thru #8 – by knowing what to do, you will be ready to help others;
- #11- Help your family be prepared with a fire escape plan; share the knowledge from other suggested activities to that other people will know how to take care of themselves and others.

Artist-

Give a project as a gift to someone;

Citizen

- #8 – Talk about a Good Turn project;
- #12 – Rrecognize another boy for being a good citizen;

Communicator

- #8 – Write an article about a service project or good deeds;
- #9, #10 – Learn more about people who communicate in ways that are different from you so you can communicate with them;
- #11 – Use a computer to keep in touch with a relative;
- #12, #13 – Use the computer or email to find out more about how you can share or serve others;

Family Member

- #2 – choose jobs you can do to help your family;
- #6 – Make your home safer for your family;
- #9, #10, #11- choose to do something that will help things run smoother in your home;

Forester

- #8 – Plant seedlings;

Handyman –

Do any of the requirements to help someone else;

Naturalist

- #12, #13 – Clean up litter;
- Earn the Wildlife Conservation Belt Loop;

Outdoorsman

- #6 – Do an outdoor conservation project with your den or a Scout troop;
- #8 – Help prepare, cook and cleanup for a den meal;

Scholar

#13 – Help another student with schoolwork;

Showman

#2, #19 – write and put on a puppet show or a play about Seeds of Kindness;

GAMES

With a Little Help from my Friends Relay

Alice, Golden Empire Council

- ★ Form teams of 5-6 Cubs and/or family members or sisters and brothers.
- ★ Each team makes a circle with one player in the middle and the others holding hands around that player.
- ★ On signal, the team takes off as a group and runs to the finish line.
- ★ Then they start back to the starting line, still holding their places.
- ★ When the first player crosses the starting line, the team sends another player into the middle and the relay continues till everyone has a chance to be in the middle.
- ★ Winning team finishes first.

SEED UPSET

Heart of America Council

- ✓ Give each boy a piece of paper with the name of a seed.
- ✓ The boys form a circle, sitting in chairs, around the boy who is IT.
- ✓ IT stands in the middle with a list of all of the seeds.
- ✓ IT starts to tell a story using the seed names.
- ✓ When a seed name is mentioned, the boy with that seed must stand up and turn around and sit down.
- ✓ When "seed upset" is mentioned, all the boys must exchange chairs.
- ✓ The boy left standing is now IT and must continue the story.
- ✓ (IT should not use his seed in the story.)

Planting Seeds

Grand Teton Council

- ✓ On a large cardboard draw a garden with holes for planting seeds
- ✓ Number each of these 5, 10, 15, 20, 25, 50.
- ✓ Each boy has twelve roundish seeds or beans (could use marbles if you would prefer), or they may use the same seeds or beans and pass them along when each boy has finished throwing.
- ✓ Individuals on teams may play by rolling the seeds or beans onto the cardboard one at a time.
- ✓ If the seed or bean comes to rest in a hole, they get those points
- ✓ Each boy or team keeps score and a token prize is given to the individual or team with the most points.

Seed Relay

Heart of America Council

- ★ Fill a bowl with large seeds (or cranberries or nuts or ...)
- ★ Each player thrusts his hand, palm down, into the bowl to see how many objects he can catch on the back of his hand.

- ★ Without spilling any, he must circle the room three times or he may be required to carry them from one bowl to the other.
- ★ The one having the most in the second bowl at the end of a certain time wins.
- ★ This may be played in the form of a relay, each taking his turn carrying the objects, competition being to see which side can get the most items into the bowl in the shortest time.

Wipe The Smile

Sam Houston Area Council

- ★ Players sit in a circle, making sure they can see everyone else.
- ★ One player who is "It" starts the game by smiling widely, while all the other players are somber.
- ★ "It" then uses his hand to wipe the smile off his face and throw it to another player who has to catch the smile with his hand and put it on.
- ★ This new "It" can then wipe off the smile to throw to someone else--though he will probably choose to smug wildly at everyone for a few minutes before relinquishing his happy role.
- ★ Meanwhile, all other players must sit stone-faced.
- ★ One smirk and they're out.

Balloon Passing

Sam Houston Area Council

This game is for den families also.

- ✓ Give each team a balloon inflated to about six inches in diameter.
- ✓ On signal, the first player on each team tucks the balloon under his chin and, without using his hands, passes it to the next player,
- ✓ The next player must take it under his chin.
- ✓ Continue until all have received the balloon.
- ✓ If it drops, the player may pick it up with his hands but must put it under his chin before passing it on.

Thumb Catch

Sam Houston Area Council

This is game of fast reflexes and can be played with a very large group.

- Players stand in a circle and each player puts his left hand out to the left with his hand in a fist and his thumb facing down, and his right hand out to the right with his hand open and his palm up.
- Your left thumb should be directly above the player to your left's palm, and your right palm should be directly beneath the player to your right's thumb.
- Have a person who is not playing count to three and say, "Go!"
- On the word "Go," all the players should try to grab the thumb of the player on their right side and at the same time try to lift their own thumb fast enough to avoid being grabbed by the person on their left.
- Anyone whose thumb was grabbed is out and should leave the circle.
- Close the circle in and continue playing until there is only one player left.

Hot Potato Tag*Sam Houston Area Council*

- ★ Play this with a ball or a potato.
- ★ Have the players form a circle with one in the center.
- ★ The potato (or ball) is passed or thrown across the circle.
- ★ When the player in the circle is able to tag the one who has the potato, the tagged player must then be "it".

FEATHER PASS*Heart of America Council*

Materials - very small, light feathers (available at a craft shop).

Object: To pass the feathers down the line to the last person.

- ✓ Line group into two equal numbered lines.
- ✓ Place feathers on open hands (You cannot close your hands).
- ✓ The team who has any (or the most) feathers at the end point wins.

Who Stole the Cookies?*Baltimore Area Council*

Cubs sit in a circle and are numbered.

They start to alternately slap their own knees and then clap hands with the Cubs on each side of them.

The Cubs chant: Who stole the cookies from the cookie jar?

The Leader chants: Number (i.e. 5) stole the cookies from the cookie jar.

Number responds: Who me?

All reply: Yes, you!

Number 5 chants: Couldn't be!

All reply: Then who?

Number 5 replies: Number (i.e. 12) stole the cookies from the cookie jar!

Number responds: Who me?

And the game goes on -

The idea of the game is to keep the, rhythm of slaps and claps going, while continuing the chant with new number being called each time. As the Cubs get used to the game, the leader can speed it up.

Toothpick and Raisin Relay*Grand Teton Council*

- Divide boys into two groups of equal numbers.
- Line them up facing each other and provide each group with a saucer of large raisins – enough for four for each boy in the group.
- The captain holds the saucer in his hand and passes it down the line.
- Each boy has been provided with a toothpick with which he must spear the four raisins and eat them.
- The captain feeds himself last.
- The first team to finish wins.

THANKSGIVING GAMES*Heart of America Council***Turkey***Grand Teton Council*

- ★ All eyes closed (option: Use blindfold).
- ★ The leader whispers in one boy's ear, "You're the turkey."
- ★ Keeping eyes closed, each boy finds another's hand, shakes it and says, "Gobble, gobble."
- ★ If both boys say gobble, the two drop hands and to on to someone else.
- ★ The turkey remains silent throughout the game.
- ★ A boy who gets no response to the gobble has found the turkey, and becomes part of it by holding on the turkey's hand and remaining silent from then on.
- ★ Anyone shaking hands with any member of the turkey becomes a part of it, and the Turkey grows larger and larger until everyone in the playing area is hold hands.
- ★ Once the group has become one giant turkey, the leader asks that all eyes open.

FEEDING THE TURKEY*Grand Teton Council*

- Boys are in pairs.
- One boy is blindfolded and holds a cup of popped corn and a spoon. He is the feeder.
- On signal, the feeders feed their partners.
- The "turkey" gives instructions to the Blind-folded feeder.
- After the corn in finished, the players change places.

THANKSGIVING SHARING*Heart of America Council*

- ✓ Boys are seated in a circle.
- ✓ They are each given ten beans.
- ✓ One is chosen to be "IT" and stands in the center.
- ✓ "IT" points to a Cub Scout and asks a question, then counts to ten.
- ✓ If the boy cannot answer the question before "IT" counts to ten, he must share one of his beans with the neighbor seated on his right and he also becomes "IT."
- ✓ If the boy answers the question before "IT" counts to ten, then "IT" must go to another Cub Scout in the circle.
- ✓ The boy having the most beans when time is called is the winner.
- ✓ All the boys share the joy of winning with the winner by giving him a special applause.

Questions can be written for the boys beforehand by the leader. They might be:

- How many legs does a turkey have?
- What are the Cub Scout colors?
- What do you give thanks for?
- How many days in November?
- What day is Thanksgiving this year?
- What color shirt is Joe wearing? etc.

PUMPKIN RELAY*Heart of America Council**Here's a game that will keep boys "in line" for a few minutes.*

- ✓ Line up each den, as a team.
- ✓ Give each boy a paper drinking straw,
- ✓ Give each team a 4-inch pumpkin print in which a 1-inch hole has been cut.
- ✓ The idea is to pass the pumpkin from straw to straw (no hands, please) to the end of the line and back.

PUMPKIN PIE GAME*Heart of America Council***Preparation:**

- Use an orange paper plate for the pumpkin pie. Divide the plate into 8 pieces.
- From a discarded calendar, cut small squares of numbers from 1 to 6.
- Glue one number on each pie slice.
- Find bonus numbers such as 4 and 5 in red.
- Cut out, and glue these on the 2 remaining pie slices.

Directions

1. Place all pie pieces together in the center of the area.
2. Each player throws the die.
3. The player with the highest number starts the game.
4. The starter throws the die.
5. If his number is 3, he takes the number 3 piece of pie and places it in front of himself.
6. His score (equal to the number) is recorded.
7. If the second player throws a 4, he takes the number 4 piece and his score is recorded on the score sheet.
8. If another player gets a 4, he can take the bonus pie piece which matches his number but in a different color.
9. Game continues until all pie pieces are gone.
10. Highest score is the winner.

CUB GRUB**Popcorn Balls***Sam Houston Area Council***Ingredients**

3 quarts plain popped corn (about 1/3 cup kernels)
 1/4 cup butter
 10 oz. bag marshmallows
 Food coloring (optional)

Directions

- ✓ Put popped corn in a large bowl. Set aside.
- ✓ Melt the butter and marshmallows in a stovetop pot, stirring constantly.
- ✓ When they are melted, take off the heat and allow the mixture to cool until it can be touched.
- ✓ If you like, stir in a few drops of food coloring.
- ✓ Using a wooden spoon, gently stir the melted mixture into the popcorn.
- ✓ Next, butter your hands and work quickly to form popcorn balls.
- ✓ Place balls on waxed paper to cool.
- ✓ After the balls are cool, you may use warm corn syrup to stick gum drops or other candy decorations to the popcorn balls.
- ✓ The popcorn balls may be stored in sandwich bags.

- ✓ This makes enough for about 15 two-inch balls, but you can make them any size or shape you like!

Super Kiss*Sam Houston Area Council*

Makes two to four kisses

Ingredients

1 stick butter or margarine
 1 package mini marshmallow, 16 ounces
 12 cups plain or chocolate crispy rice cereal

Equipment:

Large plastic kitchen funnels, two or more,
 Ribbon of choice,
 Large saucepan,
 Large spoon,
 Cookie sheet,
 Plastic wrap,
 Scissors,
 Measuring cup

Directions

- ✓ Coat inside of plastic funnels with butter or margarine
- ✓ Cover cookie sheet with plastic wrap; set both aside.
- ✓ Melt butter or margarine in saucepan over a low to medium heat.
- ✓ Add marshmallows.
- ✓ Heat until marshmallows are completely melted, stirring constantly.
- ✓ Remove from heat and add cereal;
- ✓ Stir until cereal is well coated.
- ✓ Cool slightly, but not completely.
- ✓ Lightly butter fingers.
- ✓ Press mixture into plastic funnel. (Note: Using more than one funnel at a time will speed up shaping process.)
- ✓ Place filled funnel on plastic-covered cookie sheet.
- ✓ Let cool.
- ✓ Unmold kiss and cover with plastic wrap.

Johnny Appleseed Smiles*Sam Houston Area Council***Ingredients**

Red medium apple, cored & sliced
 Peanut butter
 Tiny marshmallows

Directions

- ✓ Spread one side of each apple slice with peanut butter.
- ✓ Place 3 or 4 tiny marshmallows on top of the peanut butter on one apple slice.
- ✓ Top with another apple slice, peanut butter side down.
- ✓ Squeeze gently.
- ✓ Eat right away.
- ✓ Makes 8 to 10.

Crispix Ranch Mix*Santa Clara County Council***Ingredients:**

8 cups Kellogg's Crispix cereal
 1½ cups bite-size cheddar cheese crackers
 1 cup pretzel sticks (low-salt)
 2 cups mixed nuts (unsalted)
 2 tbs. vegetable oil
 1 package (1 oz) dry ranch salad dressing

Directions:

- ✓ Using a 2 gallon storage bag, combine the Crispix, cheese crackers, pretzels and nuts. If any of your boys are allergic to nuts, substitute with sunflower seeds or other snack food.
- ✓ Pour oil on the mixture and toss until evenly coated.
- ✓ Add the ranch dressing and gently toss again to coat.
- ✓ Store in an airtight container until ready to serve.

Cheese Calzone

Sam Houston Area Council

Ingredients

- Nonstick cooking spray
- 10 oz package refrigerated pizza dough
- 1 cup shredded cheddar cheese
- 1 cup shredded mozzarella cheese
- ½ cup ricotta cheese or cottage cheese
- ¼ cup grated Parmesan cheese
- 1 small can pizza sauce

Directions

- ✓ Preheat oven to 400°F.
- ✓ Line a pizza pan with foil and coat with cooking spray.
- ✓ Press pizza dough onto foil – so you should have a big circle.
- ✓ In a bowl, stir together cheeses.
- ✓ With a spoon, put the cheese mixture on ½ of the dough.
- ✓ Fold the dough over and seal the edges.
- ✓ Cut slits for the steam to escape.
- ✓ Bake in the preheated oven for 18 to 20 minutes.
- ✓ Half way through baking time, cover with foil so that the calzone doesn't get too brown.
- ✓ Cool for at least 5 minutes.
- ✓ While the calzone is cooling, heat pizza sauce to serve with the calzone.
- ✓ Make 4 slices –or as many slices as you wish depending on how big you cut them.

Sweet Turkeys

Alice, Golden Empire Council

Ingredients:

- 1 chocolate candy star,
- 1 caramel, unwrapped,
- 1 scalloped, Chocolate Frosting-striped shortbread cookie,
- 1 candy corn.

Directions:

- ✓ Put the caramel on wax paper and microwave just until softened (5-10 seconds only).
- ✓ Place the chocolate star, point side up, on the surface, then place the caramel on the tip of the star. Press down so they stick together.
- ✓ To make the tail, press the chocolate cookie, striped side facing forward, firmly against the soft caramel so it stands upright.
- ✓ Press the candy corn on top of the caramel to make the beak.

Cookie Cutter Bird Treats

Capital Area Council

Ingredients & Materials:

- 1 cup shortening
- 3½ cups all-purpose flour

- 1 tsp. Baking soda
- 1½ tsp. Cream of tartar
- ½ tsp. Salt
- 3 eggs
- Mixed birdseed
- Cookie cutters
- Drinking straws
- Ribbon

Directions:

- ✓ Cream the shortening and beat in the eggs.
- ✓ Sift together flour, soda, cream of tartar, and salt.
- ✓ Gradually add the dry ingredients to the shortening/egg mixture.
- ✓ When well mixed, cover and chill.
- ✓ Flour surface and roll dough out to about ¼ inch thick.
- ✓ Cut out shapes with cookie cutters.
- ✓ At the top of each cookie, make a hole with the straw.
- ✓ Press in a coating of birdseed.
- ✓ Preheat oven to 350° and bake for about 12 minutes.
- ✓ When the cookies are cool, insert a length of ribbon through each hole and tie.
- ✓ Hang on tree outdoors for birds to enjoy.

WEBELOS

The Scout Law in Song

Here's the best way I know to teach a WEBELOS the Scout Law, a song called Trusty Tommy CD

The tune is Yankee Doodle

It s found at <http://usscouts.org/usscouts/songs/songbk1a.asp>

Trusty Tommy

TRUSTY Tommy was a Scout,
 LOYAL to his mother,
 HELPFUL to the folks about, and
 FRIENDLY to his brother.
 COURTEOUS to the girls he knew,
 KIND unto his rabbit,
 OBEDIENT to his father too, and
 CHEERFUL in his habits.
 THRIFTY saving for a need,
 BRAVE, but not a faker,
 CLEAN in thought and word and deed, and
 REVERENT to his Maker.

There is midi file for the tune at

<http://www.boyscouttrail.com/content/song/song-502.asp>

Square Knot Slide

Capital Area Council

Here's a simple square knot made by dyeing cotton rope in appropriate colors,
 This should help you teach the square know to your Webelos Scouts



- # 1. Tie the knot, and use a little glue to hold it together.
- # 2. Attach a loop and you're set!
- # 3. If you're using nylon rope, you'll need to melt the rope ends a bit to prevent fraying.
- # 4. We used clothesline cut into 4-inch strips.
- # 5. We had to melt the ends to keep from fraying. Since most cheap clothesline is made from nylon, the adults should do this step so that the melted nylon does not burn the scouts.
- # 6. We then painted one strip blue and one strip yellow.
- # 7. After the paint dried, we assembled a square knot and fused a strip of clothesline on the back for the slider part."

Clove Hitch Neckerchief Slide

Norm

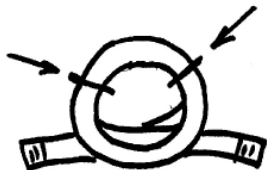
- ✓ Here is a slide from my friend Norm that may work to help your Webelos learn to tie the Clove Hitch.
- ✓ Cut a 12 inch long piece of piece of 1/4" rope
- ✓ Whip both ends
- ✓ Twist the rope and make two loops like so –



- ✓ Place one end over the other, then over a 5/8" rod or dowel



- ✓ Pull tight
- ✓ Then remove it and tie it at the arrows



- ✓ Add glue to the inside and let it dry
- ✓ When dry, remove the tie strings
- ✓ It should look like this



Have you contacted a local Boy Scout troop yet?? Made all your arrangements for your outdoor adventure with them? Please don't wait until January (unless you are in Hawaii or Florida) and then try and get it in before Blue & Gold?

CRAFTSMAN TECHNOLOGY GROUP

Baltimore Area Council

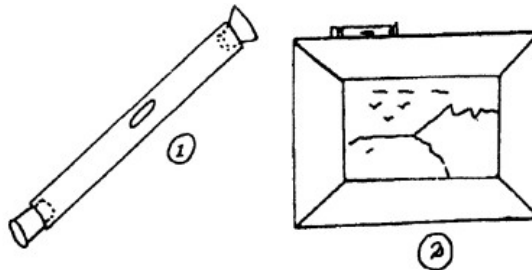
The requirements for the Craftsman activity badge include projects in wood, leather and tin. This activity helps the boys develop confidence in their abilities by encouraging them to use their talents and skills for more advanced handicraft projects, or perhaps to develop a hobby in one of these mediums.

Where to Go and What to Do

- ✓ Visit a furniture factory, sawmill, lumberyard, or cabinetmaker.
- ✓ Visit a tannery or leather goods manufacturer.
- ✓ Demonstrate the proper care and use of tools.
- ✓ Demonstrate metal work, using a tin snips and vise.
- ✓ Have a nail-driving contest.
- ✓ Make a tool chest.

Carpenter's Level

Southern NJ Council



You can make a carpenter's level out of a glass tube - like dentists use or the kind of plastic tube a toothbrush comes in.

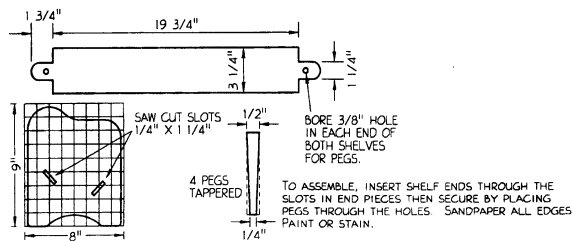
With the vial from the dentist's office, remove one rubber cork from the end. Rinse tube out good and then fill almost full of water and replace cork.

With a glass or plastic tube, cork one end, fill nearly full with water, then cork the end. (pic 1.)

Lay tube on a flat surface. If this surface is perfectly level, the bubble inside the tube will be exactly in the middle. If the surface is not quite level, the bubble will be off center one way or the other. (pic 2.)

Book Trough

Southern NJ Council



Copy picture and enlarge. Then trace diagram of book ends onto 3/8" board or plywood. Cut shelves from measurements. Make ends identical by clamping together before cutting and finishing.

Mountain Cabin Bookends

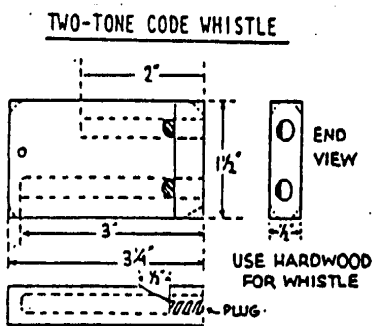
Baltimore Area Council

Using 3/4" wood, cut one back 4" x 6", one base 3" x 4", one cabin and one tree for each bookend. See pattern pieces. After making pieces, assemble and paint as desired.



Two-Tone Code Whistle

Southern NJ Council



You can work out a series of code signals with this two-tone code whistle. The twin tones make it penetrate a long distance. Each hole may be used independently or both may be blended.

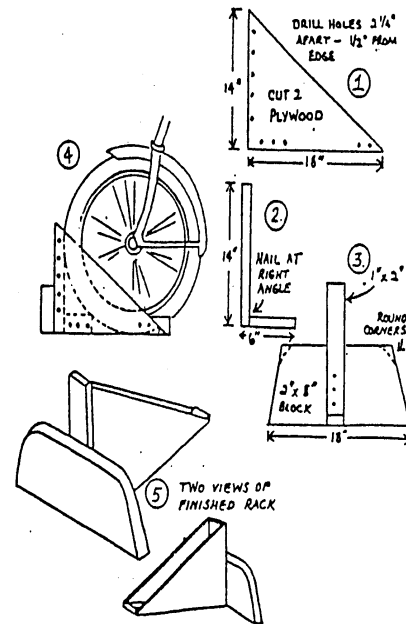
Walnut, maple or birch are good hardwoods to use. Make sure the holes are completely free of sawdust. Round off all edges and sand it smooth, then attach a neck strap lanyard long enough so that you can tuck the whistle into your shirt pocket.

Note that the plugs are flattened off at the top. Plugs should make a tight fit for the best resonance.

1. Drill holes as indicated in piece of hardwood. Cut air escape notch.
2. Insert 1/4-inch plugs flush to straight cut of notch. Cut off excess wood.

Personal Bike Rack

Southern NJ Council



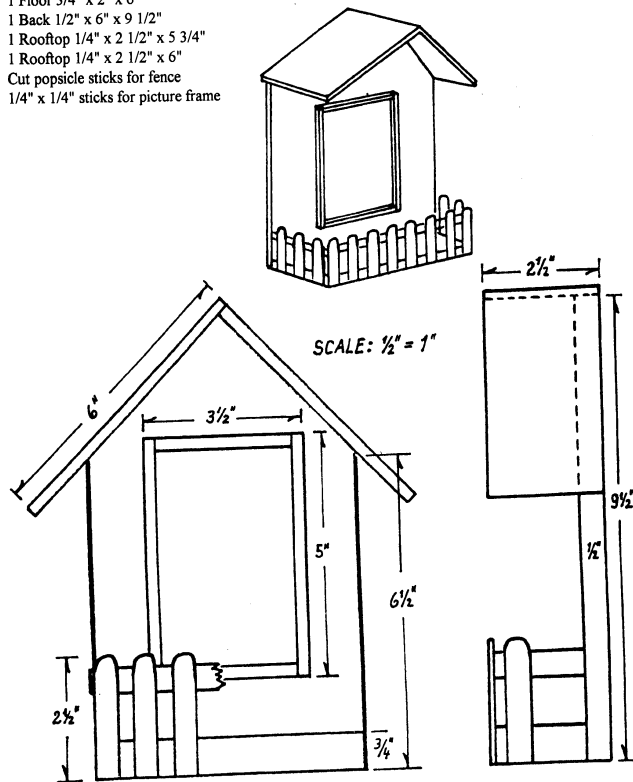
Materials:

- One 14" x 18" piece of 1/2" plywood;
- One 1" x 2"; one 2" x 8" x 18"
- No. 6 flathead screws (1-1/4" long);
- Six-penny nails;
- Varnish or paint;
- White glue or powdered resin glue.

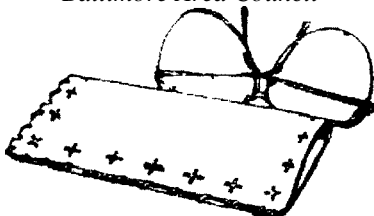
1. Cut plywood triangles. Drill holes as show with a 5/32" drill bit. Paint or varnish the inside of plywood at this time. It will be difficult to do after rack is assembled.
2. Cut the 1" x 2" pieces. Nail the two longest pieces at right angles.
3. Cut the 2" x 8" piece. Attach the nailed 1"x2" with screws. Paint or varnish the 1" x 2" now. (Note the right angle is fastened to the 2" x 8" with screws from inside.)
4. Fasten the plywood triangles in place with screws through pre-drilled holes. Don't forget the small piece of 1" x 2" that joins the tips of the triangle.
5. Sand and complete paint or varnishing the piece.

Picture Frame House
Southern NJ Council

- 1 Floor 3/4" x 2" x 6"
- 1 Back 1/2" x 6" x 9 1/2"
- 1 Rooftop 1/4" x 2 1/2" x 5 3/4"
- 1 Rooftop 1/4" x 2 1/2" x 6"
- Cut popsicle sticks for fence
- 1/4" x 1/4" sticks for picture frame

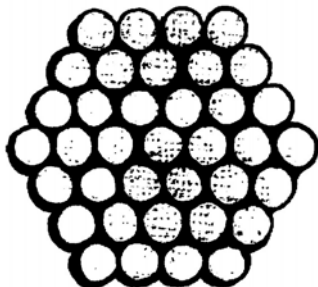


Leather Eyeglass Case
Baltimore Area Council



Measure eyeglasses and cut leather (a piece approximately 6" x 6") so glasses fit easily when case is folded. Fold leather and punch holes for lacing using the running stitch. Cut simple design into head of a large nail with a file; then file off nail point. Dampen leather and use small hammer to tap the design on.

Wooden Trivet
Baltimore Area Council



Materials:

1 dowel, 4' long, 1" diameter for each Webelos
Table saw, Sandpaper, Waxed paper, Carpenter's glue
Felt (approx. 6"X6")

Prior to the meeting - Cut the dowel into slices about 1 1/4" thick, using the table saw. You will need 37 pieces for each Webelos.

Have the Webelos -

1. Sand any rough edges.
2. Lay a piece of waxed paper on the working surface. It can be easily removed from the trivet after the glue has dried.
3. Begin gluing the slices together as shown in the picture.
4. When glue has dried, pull away waxed paper and cut the felt piece to fit the back of the trivet.
5. Glue felt in place.

**READYMAN
COMMUNITY GROUP**

Baltimore Area Council

The Boy Scout motto is "Be Prepared". It means that the Scout is always ready in mind and body to do his duty and to face danger, if necessary, to help other people. He learns first aid. He learns how to swim safely and how to ride his bicycle without danger to himself or others. He also learns how to make his home safer and the safety rules for passengers in the car. In earning the Readyman Activity Badge, you will get a faster start on being prepared as a Scout. Many of the things you learn help you advance as a Boy Scout.

Den Activities

- ✓ Visit your local ambulance service or fire department rescue squad.
- ✓ Ask a member of the local Red Cross or emergency trauma team to visit your den and show you how to save lives by learning: Hurry cases, shock, other minor emergencies.
- ✓ Learn how to get help from the local authorities such as the police, fire department, ambulance, or hospital, contact the police department to find out how to report or summon help in these situations.
- ✓ Consult with the local fire marshal, emergency services team, or police department to find out how to plan an emergency escape route, or find where most home accidents are likely to occur.
- ✓ Invite a member of the local Red Cross or a qualified swimming instructor who is a Water safety Instructor to show your den how to have a safe and fun time at the beach or the local pool.
- ✓ Build a buddy tag board and use it on an outing that involves water sports.
- ✓ Attend a Boy Scout first-aid demo.

General Directions for Giving First Aid - American Red Cross

- ✓ Keep the injured person lying down.
- ✓ Do not give liquids to an unconscious person.
- ✓ Restart breathing with mouth-to-mouth artificial respiration.
- ✓ Control bleeding by pressing on the wound.
- ✓ Dilute swallowed poisons and call the poison Control Center.
- ✓ Keep broken bones from moving.
- ✓ Cover burns with thick layers of cloth.
- ✓ Keep heart-attack cases quiet and give cardiopulmonary resuscitation (CPR) if it is necessary and if you have been trained.
- ✓ Keep a fainting victim lying flat.
- ✓ For eye injuries, pad and bandage both eyes.
- ✓ **ALWAYS CALL A DOCTOR.**

Fire Prevention

Safety Comes First!

Kitchen Fire Extinguisher

Materials:

- ✓ Glass bottle
- ✓ Red and black construction paper
- ✓ Funnel (optional)
- ✓ Baking soda
- ✓ Black marker, scissors, glue

Directions:

Wash and dry the bottle.

Cover the outside with red paper; glue ends.

Draw extinguisher shape on front of bottle.

Write the words with black marker.

Fill the jar with baking soda (the funnel helps, if you have one).

Place next to kitchen stove.

If there should ever be a stove fire, pour the baking soda on the flames to put them out.

Possible Kit (It's possible that what you forgot is here.)

- | | |
|---------------------|---------------------------|
| 35 mm film canister | Rubber bands |
| Masking tape | thumb tacks |
| paper clips | Band-Aids |
| piece of chalk | straight pins |
| Book matches | Fishing line and fishhook |
| 2 safety pins | 1 quarter and 1 dime |
| 2 kitchen matches | 2 stamps |
| 1 pencil stub | 1 piece of string |

Directions:

Wrap masking tape and rubber bands around the outside of the film canister and carefully put all other items into the canister.

And it's just possible that what you forgot is in there. You will survive a little longer.

Make Your Own First Aid Kit

What to Include:

For open wounds, cuts, skinned knees, and scratches

- 1 box 12 adhesive compresses
- 3 sizes sterile bandages
- 3 sterile gauze squares
- a small bottle antiseptic

For blisters

- Adhesive compresses or gauze squares
- narrow adhesive

For sprains

- 1 triangular bandage
- small scissors

For burns, sunburn

- tube burn ointment 5%

For splinters

- small tweezers
- needle
- matches to sterilize

For fainting

- small bottle aromatic spirits of ammonia

For bites or stings

- small box bicarbonate of soda

For toothache

- small bottle oil of cloves

For plant poisoning

- small bar yellow soap

Ideas for containers to use:

- A cigar box, a tin cracker or candy box paint and decorate. Put a list of what-to-do inside the lid.
- Make a cloth case with a strap.
- A cloth kit with pockets. Fold over the top, roll up, and tie.

Southern NJ Council

At your first meeting you will want the boys to explain what first aid is. FIRST AID is immediate help right after an injury. First aid isn't playing doctor. It's doing the things that must be done before expert help arrives. How will you act in an emergency? Would you know what to do? If you do, you'll be cool and calm, because you know you can help. Your confidence will show and it will help the injured as you ease their pain and worry.

Activities:

- ✓ Ask a First Aid Merit Badge Counselor from a Scout Troop in your area to attend the meeting and explain the items in a first aid kit, or have him show what to do for "hurry cases."
- ✓ Invite a Scout Troop to your meeting to show first aid for cuts and scratches, burns and scalds, and choking.
- ✓ Invite a police officer to speak on bicycle safety.
- ✓ Have a swim instructor go over the safe swim defense plan.
- ✓ Visit a fire station with an E.M.S. Unit.
- ✓ Visit a hospital E.R. or an Emergency Clinic.
- ✓ Put together a first aid kit for you Pack to take on outings.
- ✓ Stage a mock disaster involving injuries and have the boys treat the injuries. This could be done in conjunction with a Patrol from a nearby Troop. With the Scouts demonstrating more complicated skills and acting the part of the injured.
- ✓ Attend A First aid Rally in your area
- ✓ Visit the local Red Cross office and learn about how the teach First Aid
- ✓ Plan a fire escape plan for your home.

First Aid Actions

Severe Bleeding - Do not take any objects out that may have caused the bleeding and do not try to wash the wound. With one hand take a gauze pad and apply pressure with your hand. With the opposite hand wrap the wound. Continue to add pressure. If the wound continues to bleed apply pressure to an artery and seek medical attention. While doing all of the above elevate the wound above the heart to help reduce bleeding.

Stopped Breath - It is not necessary to determine if the victim has a pulse or not. In the event that the victim has a pulse, one would begin doing rescue breathing which is a process of blowing air into the lungs every 5 seconds in an effort to try to get them to breathe on their own. In the event that the victim has no pulse one would begin CPR which is a process of blowing air into the lungs and pumping the heart at the same time. It is best that you do not give rescue breathing or CPR if you have not been trained. The best thing for you to do is seek medical attention as soon as possible. The brain can only go without oxygen for 4 - 6 minutes without damage.

Internal Poisoning - Poisons can be swallowed, inhaled, absorbed or injected into ones system. It is important that you call the Poison Control Center and get instructions on how to handle the emergency. Dial 911.

Heart Attack - Seek medical attention as soon as possible. It may be necessary to apply CPR.

Shock - Shock is a normal reaction to many emergencies and is the process of the body shutting down the normal flow of blood on a temporary basis. To treat, ask the victim to lie down on their back and elevate their feet slightly. If they are conscious, get them to take some deep breaths and give them some water to sip. If they suffer from chills, offer them a blanket. If shock continues, seek medical attention.

Cuts and Scratches - Wash with clear water and bandage. Watch and treat for infection.

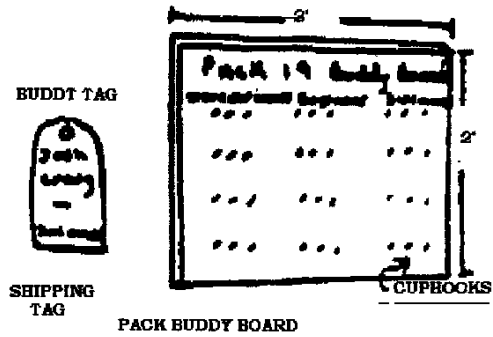
Burns and Scalds - Burns can be obtained by heat, chemicals, and electricity or radiation. Rinse all burns with clear water and wrap with clean and dry bandages. All burns except some first degree burns need to have medical attention.

Choking - As long as a victim can speak, breath, or cough, encourage them to continue coughing. If the victim shows signs of troubled breathing, apply abdominal thrusts until the object is dislodged.

Things to Make

Buddy Board and Tags: One of the eight parts of the Safe Swim Defense is the use of the buddy system. In this everyone pairs off BUDDY TAGS with another person of his own swimming ability. Buddies check in and out of the swim area together.

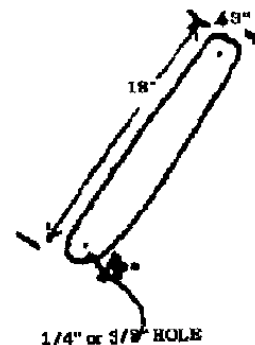
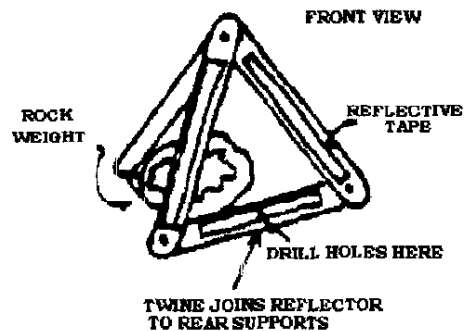
The swim supervisor issues everyone a buddy tag so that he knows at all times that certain Scouts are paired with certain others. No one swims without a buddy tag displayed in the proper spot.



Simple badge tags make good buddy tags. So do wooden tongue depressors stuck into the ground or sand beach near the swim area. Both may be marked in pencil or waterproof marker with the swimmers name and his classification: non-swimmer, beginner, or swimmer.

Display the buddy tags by hanging them on inverted cup hooks screwed into a rectangle of plywood. Buddies hang their tags on the same hook. Have Scouts make a buddy board. Cut the wood, drill holes as show, and mark off the areas of equal dimensions. Shellac or varnish the whole works. Your Scouts may also make buddy tags for your pack.

Car Breakdown Marker



Equipment Needed:

- ✓ 5 Wooden paddles cut from 1/4" thick plywood/ wooden crate or similar
- ✓ ROCK WEIGHT
- ✓ 3 large brass paper fasteners or 1/4" x 1" threaded stock,
- ✓ long bolts with wing nuts,
- ✓ Self-adhesive reflective tape, and
- ✓ Some strong twine.

Cut paddles as shown. Cover one side of 3 paddles with reflective tape. Drill 1/4 or 3/8 inch holes as shown. In actual use, bolt or fasten the paddles together into a triangle shape as illustrated. Fasten rear supports by tying with twine. Place the warning marker about 100' behind the disabled car parked on the shoulder of the road. Reflective tape faces oncoming traffic. Weigh down the bottom rear support with a large rock or something similar.

GAMES

Pressure Pad Relay:

Equipment - Each boy using his own neckerchief.

One boy lies about 30 feet in front of the team with arterial bleeding" of the left wrist.

There is one judge for each victim.

On signal, the first boy from each team runs up and applies a pressure pad over the simulated wound.

When correct, the judge yells "off", the boy removes the pad and runs back to the team, tags off the next boy who repeats the operation.

Bandage Demonstration:

Equipment - As needed. One member of a den is the patient; the rest are first-aiders.

On "go" Number 1 runs to the patient and ties a head bandage and runs back;

Number 2 ties cross chest;

Number 3, thigh;

Number 4, ankle bandage;

Number 5, sling for arm; then

Numbers 6 and 7 go up and be chair carry transport for the patient back to the starting point. NO TIME ELEMENT

(Note: In case of a small den, one or more boys may go up twice, until the project is completed).

What's Wrong With Me?

Write down several different accidents or afflictions.

(example: A broken leg, A nose bleed, Choking, Shock, etc...) Place these in a hat and have the boys draw them out one at a time. The boy that drew will have to act out that particular problem. The first boy to identify the problem must show how to treat it, he now gets to pick and act out an accident.

Fire:

Seat Webelos Scouts in a circle with one in the center.

The one in the center calls out one of the following and points to one of the seated players: "Earth", "Air", "Water", or "Fire". (If there are more than four players, the names may be repeated.)

As he points, he begins counting slowly to 10.

The player to whom he points must answer as follows:

"Earth" must name four animals,

"Air" must name four birds or flying insects,

"Water" must name four fish or sea creatures.

If "Fire" is called, he remains silent.

If the player succeeds before the count of 10, another seated player gets a turn, and the Webelos in the center remains there.

If the player fails, he becomes the new leader and the old leader takes his place in the circle.

Douse That Fire: Each team has a pail with a candle stub in a holder on the bottom. Fill the bucket to two inches below the

candle wick and light the candle. Divide the den into two teams and give each team a cup and a jar of water. On signal, the first player on each team fills his cup, runs to the bucket, and empties the water into it. He then runs back with his cup and the next player repeats the action. Continue until one team has doused its fire by filling the bucket to candlewick level. A team is disqualified if a player pours water on the candle flame.

Fire Hazard Hunt: Prepare for this game by creating some fire hazards in and around your meeting place -- matches left carelessly within reach of children; outside door blocked by a chair, oily rags in a pile in the garage; grease spilled near stove burner, newspaper piled near furnace; fireplace screen away from fireplace; frayed electric cord, etc. Ask boys to find and list on paper as many hazards as they can find. At the end of the game, check findings and explain the hazards. Urge Webelos to check their own home.

Fireman. Save My Child: Divide den into two teams. One member of each team (the "child") sits on an old throw rug or heavy cloth about 2' x 3' about 15 feet from his team. Each of the other players has a four foot length of rope. On signal, the boys tie their ropes together with square knots to form a rescue rope. When all ropes are tied, a player throws the rescue to the child and the team pulls him to safety. The den that ties all knots correctly and first pulls its child to safety is the winner.

The Search For Bigfoot Game: This is a series of tests for each den leading to the discovery of Bigfoot. It can be adapted to either indoors or outdoors, but if you have a choice, make it outdoors. The object of the hunt is to complete the tests and find Bigfoot in the shortest time.

Station #1: Climbing the Mountain - Build a string trail, with the string leading high and low between tree trunks, branches, etc. The den is blindfolded and each member follows the trail by sliding one hand along the string. (If indoors, run the string from chair to table to side of the room and back again.)

Station #2: One member of the den is lost and presumably injured in the mountains. That Cub Scout is sent some distance away and left lying on the ground. The other den members must find him, apply some simple-first aid, and bring him back to the stretcher made from two poles and a blanket.

Station #3: Finding Shelter - One the way up the mountain, a fierce storm stops the den. The boy must build a shelter with a blanket and a few poles that all den members can get under.

Station #4: After the storm, the den finds Bigfoot's footprints near the camp. (The footprints are huge cardboard cutouts of an ape's print and lead toward a wooded area or, toward another room.)

Station #5: As the den follows the footprints, the boys see Bigfoot (a leader in a fur coat and mask) scurrying off into the woods (or other room). Start dens at four or five minute intervals. Time each start. The winning den is the one which tags Bigfoot in the shortest time.

POW WOW EXTRAVAGANZAS

Let me know as soon as your date is set. I will post whatever I receive! CD

Southern NJ Council

Cub Scout Centennial Express

January 24, 2009

Lakeview School, Millville, NJ 08332

Call Southern NJ Council, 856-327-1700, extension 32, or visit the web portal, www.snjscouting.org for more information

Del-Mar-Va Council

Molding Futures

November 15, 2008

Lake Forest High School, Felton, Delaware

For more information call 302-622-3300 or visit their web portal, www.delmarvacouncil.org

Buckeye Council

"Refueling the Fire"

Saturday November 1st, 2008

Faith United Methodist Church, North Canton, Ohio

For more information go to www.buckeyecouncil.org
Or contact volunteer chairperson, Michele Randolph at mrrandolph@verizon.net

Sam Houston Area Council

Akela's Trail **

Adventure in the Jungle

November 1, 2008

Spring Woods High School, Houston, Texas

For more info call (713) 659-8111 or go to

<http://www.samhoustonbsa.org/Home/Training/AkelasTrail/>

** *Sam Houston Area Council has changed the name of their Pow Wow to Akela's Trail. They want to get the idea across that this council training event is for all Akelas – all parents and leaders of Cub Scouts.*

Catalina Council

Knights of the Roundtable



November 1, 2008

Fairmount LDS Center

6150 E. Fairmount, Tucson

For detailed information call 520-750-0385 or go to

http://www.catalinacouncil.org/training/2008_Pow_Wow.pdf

I know Catalina's Pow Wow will be great -

A Bob White is in charge!!!! CD

Connecticut Rivers Council

Seeds of Kindness

November 15, 2008

PowWow2008

East Windsor High School, East Windsor, CT 06088

For detailed information call 860-289-6669 or go to

<http://members.cox.net/jcrakoczy/PW2008.html> .

On-line Registration begins September 1, 2008.

WEBSITES

Alice, Golden Empire Council

www.heifer.org international organization that connects givers with projects and initiatives all over the world. You can choose an area from a world map. In addition to providing heifers, the giver can also choose to give as little as \$10 for a share in a seedlings donation, \$20 for a flock of chicks, various "baskets" for \$60 and up; lots of different projects to choose from, as well as explanations of the value of each gift to the recipients. Information on how to start or support an urban garden.

www.usaweekend.com/diffday website for a national day of service on the fourth weekend of October every year. Lots of ideas on how an individual, family, den or pack could participate. You can win funding, vacations and various prizes for participating.

www.redcross.org go to volunteer services, then click on volunteer opportunities checklist; use the locator to look for opportunities for kids, youth in a given zip code.

[The Points of Light Foundation](http://www.giving.clintonfoundation.org), the non-profit partner in USA WEEKEND's Make A Difference Day, is the nation's leader in promoting more effective volunteering and awareness of the importance of volunteering.

<http://giving.clintonfoundation.org> links to all kinds of giving opportunities; click on resources to go to lists by category

[Newman's Own](http://www.newman.org): Paul Newman, a Make A Difference Day judge and supporter, site also includes information on his summer camps for kids who have cancer and blood diseases.

[America's Promise](http://www.americaspromise.org): Founded in Philadelphia, at the Presidents' Summit for America's Future, America's Promise aims to provide every at-risk child in America with access to all resources they need.

[The Corporation for National Service](http://www.americorps.gov) oversees three national service initiatives: [Americorps](http://www.americorps.gov) allows people of all ages to earn help paying for education in exchange for a year of service. [Learn and Serve America](http://www.learnandserve.org) supports teachers and community members who involve young people in service that relates to their school studies. [National Senior Service Corps](http://www.national seniorservice.org) helps people age 55 and older find service opportunities related to their interests.

[The National Assembly](http://www.nationalassembly.org): This is a great stop for anyone interested in human service as a career. Dedicated to youth development, their homepage includes a newsletter and the On-line Directory for over 2000 Internships in Youth Development.

[Global Service Corps](http://www.global-service-corps.org) invites you to address social inequities and environmental problems around the world. At the same

time, you can experience learning and friendship through working with, and living in the homes and communities of Global Service Corps partners and hosts in Kenya, Costa Rica, Guatemala and Thailand. This experience is available through volunteer project trips as well as longer term volunteer opportunities.

[Volunteers of America](#) 49 community-based service organizations throughout the U.S. offer more than 160 different programs that help people including children, youth, the elderly, families in crisis, the homeless, people with disabilities or mental illness, and ex-offenders returning to society.

The [Volunteers in Technical Assistance \(VITA\)](#) is a not-for-profit private voluntary organization which was established by scientists and engineers to respond to technical inquiries from people in developing countries. VITA collects, refines, and disseminates information that helps to improve food production, minister health needs, increase productivity of businesses, generate higher incomes, and preserve natural resources.

[Volunteermatch.org](#) offers a variety of online services to support a community of nonprofit, volunteer and business leaders committed to civic engagement.

[Ohio's Governor's Community Service Council](#) is Ohio's state office of volunteerism and community service.

ONE LAST THING

What Cubs Are Made Of

Cub Scouts are made of all of these,
Scarves of gold, patches on sleeves,
Trousers of blue and well-worn knees,
That's what Cub Scouts are made of.
They're partly Indians, of fringe and feather,
And beads and buttons and bits of leather,
With war-paint and freckles mixed together,
That's what Cub Scouts are made of.
They're made of a promise, a pledge, and a prayer
Of hands that are willing, of hearts that play fair,
With something inside them that God put there,
And that's what Cub Scouts are made of.

~Baltimore Area Council